

THOMSEN

Quality stainless steel flow equipment.



Bevel Seat

For over 60 years, L. C. Thomsen has been supplying high quality products to the dairy, food and beverage industry. When you think of *THOMSEN*[®], three words come to mind: excellence, quality and teamwork.

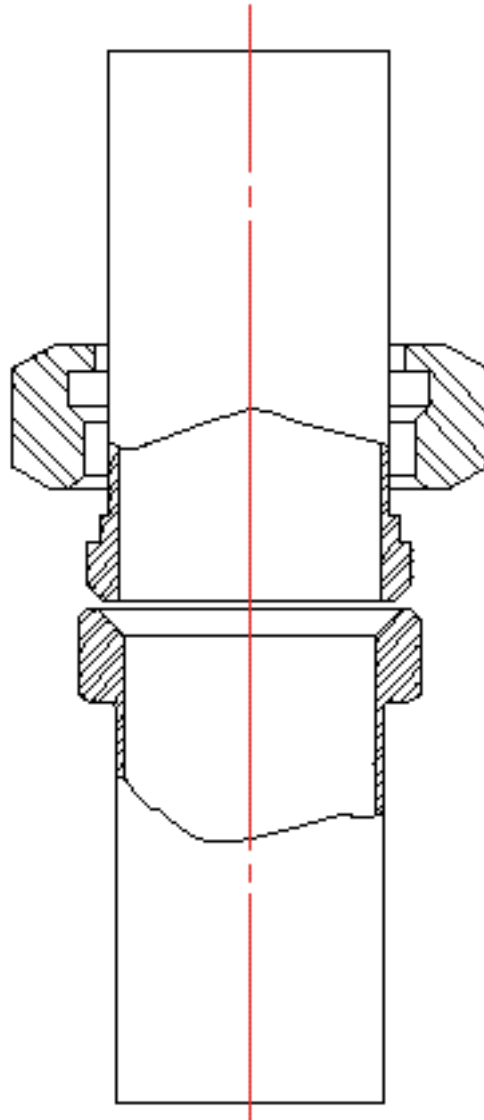
Excellence and quality are best achieved through teamwork and a shared vision. At *THOMSEN*[®] we strive to:

- Manufacture the finest quality sanitary equipment in the marketplace.
- Deliver on time.
- Concentrate on customer care.
- Provide the lowest cost possible.

These widely used sanitary fittings are manufactured from both T-304 and T-316 stainless steel. It is a union-nut assembly with sanitary acme threads. Bevel seat fittings provide a secure sanitary joint, fully approved and meeting 3A Standards.

Bevel seat fittings are available in 1" through 4" sizes and they are available in a variety of finishes.

When you need sanitary fittings, there is only one name to remember. *THOMSEN*[®], the trusted name for sanitary fittings, pumps and valves for the dairy, food and beverage industries for over 60 years.



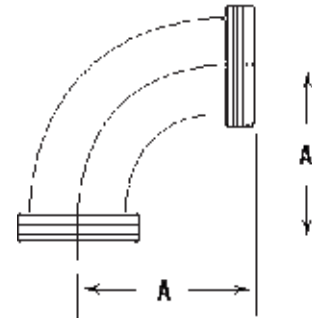
3A authorized 





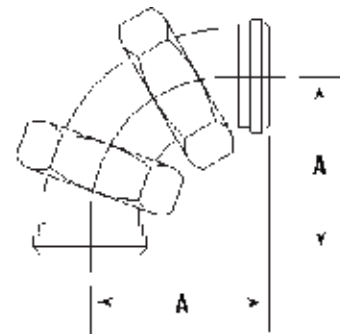
90° SWEEP ELL **2C**

PART NO.	TUBE SIZE	A
6099	1	2
6100	1 1/2	2 7/8
6101	2	3 23/32
6102	2 1/2	4 27/32
6103	3	5 29/32
6104	4	8 1/16



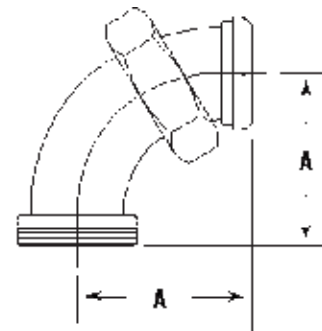
90° SWEEP ELL **2E**

PART NO.	TUBE SIZE	A
6115	1	2
6116	1 1/2	2 7/8
6117	2	3 23/32
6118	2 1/2	4 27/32
6119	3	5 29/32
6120	4	8 1/16



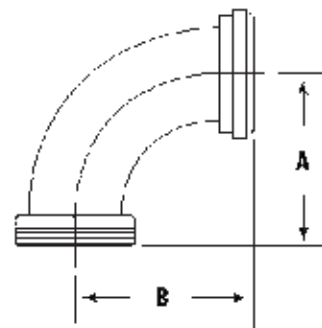
90° SWEEP ELL **2F**

PART NO.	TUBE SIZE	A
6123	1	2
6124	1 1/2	2 7/8
6125	2	3 23/32
6126	2 1/2	4 27/32
6127	3	5 29/32
6128	4	8 1/16



90° CONCENTRIC REDUCING ELL **2F-31**

PART NO.	TUBE SIZE	A	B
6139	1 1/2 x 1	2 7/32	2 3/16
6140	2 x 1	2 7/32	2 3/16
6141	2 x 1 1/2	2 31/32	3
6143	2 1/2 x 1 1/2	2 31/32	3
6144	2 1/2 x 2	3 3/4	3 27/32
6147	3 x 2	3 3/4	3 27/32
6148	3 x 2 1/2	4 5/8	4 19/32
6152	4 x 2 1/2	4 5/8	4 19/32
6153	4 x 3	5 13/32	5 13/32

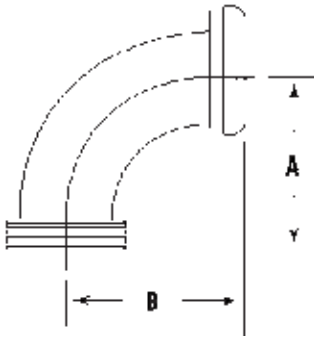


BEVEL SEAT FITTINGS



2F-32

90° ECCENTRIC REDUCING ELL



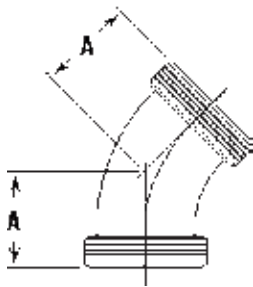
PART NO.	TUBE SIZE	A	B
6173	1 1/2 x 1	2 7/32	2 3/16
6174	2 x 1	2 7/32	2 3/16
6175	2 x 1 1/2	3 31/32	3
6177	2 1/2 x 1 1/2	2 31/32	3
6178	2 1/2 x 2	3 3/4	3 27/32
6181	3 x 2	3 3/4	3 27/32
6182	3 x 2 1/2	4 5/8	4 19/32
6186	4 x 2 1/2	4 5/8	4 19/32
6187	4 x 3	5 13/32	5 13/32

CODES: OA - 12:00 OB - 3:00 OC - 6:00 OD - 9:00



2K

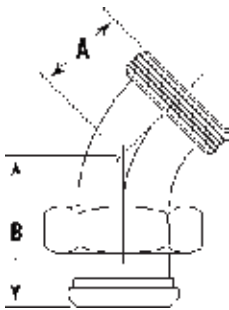
45° SWEEP ELL



PART NO.	TUBE SIZE	A
6508	1	1 5/16
6509	1 1/2	1 23/32
6510	2	2 1/8
6511	2 1/2	2 5/8
6512	3	3 1/8
6513	4	4 1/4

2P

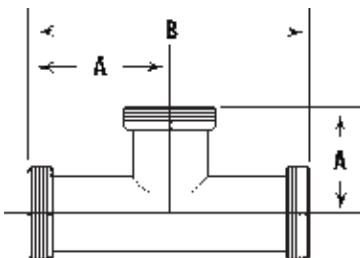
45° SWEEP ELL



PART NO.	TUBE SIZE	A	B
6516	1	1 5/16	2 1/8
6517	1 1/2	1 23/32	2 1/8
6518	2	2 1/8	2 5/16
6519	2 1/2	2 5/8	2 9/16
6520	3	3 1/8	2 29/32
6521	4	4 1/4	3 7/8

7

TEE



PART NO.	TUBE SIZE	A	B
7026	1	1 13/16	3 5/8
7027	1 1/2	2 3/8	4 3/4
7028	2	2 25/32	5 9/16
7029	2 1/2	3 3/16	6 3/8
7030	3	3 1/2	7
7031	4	4 21/32	9 5/16

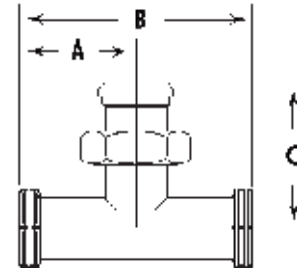




BEVEL SEAT FITTINGS

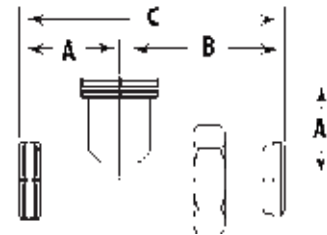
TEE 7A

PART NO.	TUBE SIZE	A	B	C
7034	1	1 13/16	3 5/8	2 11/16
7035	1 1/2	2 3/8	4 3/4	3 13/32
7036	2	2 25/32	5 9/16	3 13/16
7037	2 1/2	3 3/16	6 3/8	4 1/4
7038	3	3 1/2	7	4 5/8
7039	4	4 21/32	9 5/16	6 1/8



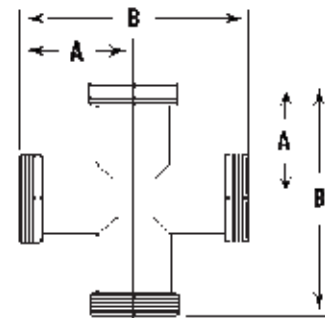
TEE 7B

PART NO.	TUBE SIZE	A	B	C
7042	1	1 13/16	2 11/16	4 1/2
7043	1 1/2	2 3/8	3 13/32	5 25/32
7044	2	2 25/32	3 13/16	6 19/32
7045	2 1/2	3 3/16	4 1/4	7 7/16
7046	3	3 1/2	4 5/8	8 1/8
7047	4	4 21/32	6 1/8	10 25/32



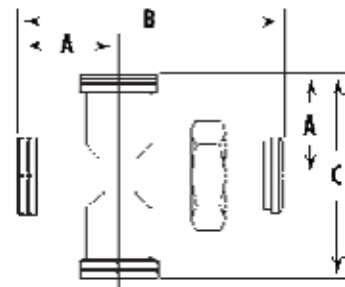
CROSS 9

PART NO.	TUBE SIZE	A	B
7526	1	1 13/16	3 5/8
7527	1 1/2	2 3/8	4 3/4
7528	2	2 25/32	5 9/16
7529	2 1/2	3 3/16	6 3/8
7530	3	3 1/2	7
7531	4	4 21/32	9 5/16



CROSS 9A

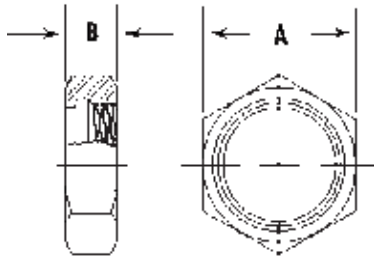
PART NO.	TUBE SIZE	A	B	C
7534	1	1 13/16	4 1/2	3 5/8
7535	1 1/2	2 3/8	5 25/32	4 3/4
7536	2	2 25/32	6 19/32	5 9/16
7537	2 1/2	3 3/16	7 7/16	6 3/8
7538	3	3 1/2	8 1/8	7
7539	4	4 21/32	10 25/32	9 5/16



BEVEL SEAT FITTINGS



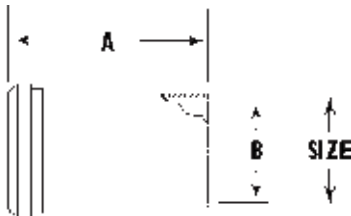
13 H



HEX NUT

PART NO.	TUBE SIZE	A	B
2230	1	1 13/16	29/32
2231	1 1/2	2 13/32	31/32
2232	2	3	1 1/16
2233	2 1/2	3 19/32	1 3/16
2234	3	4 3/16	1 9/32
2235	4	5 27/64	1 1/2

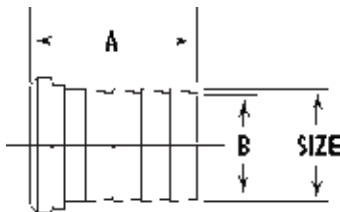
14 A



PLAIN TUBE FERRULE

PART NO.	TUBE SIZE	A	B
2270	1	1 3/8	.870
2271	1 1/2	1 1/2	1.370
2272	2	1 1/2	1.870
2273	2 1/2	1 3/4	2.370
2274	3	1 3/4	2.870
2275	4	1 3/4	3.834

14 AHR

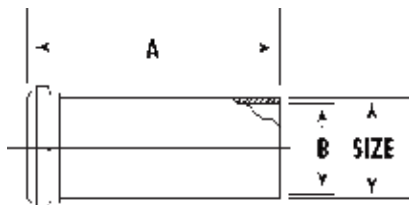


RUBBER HOSE ADAPTER

PART NO.	TUBE SIZE	A	B
2570	1	1 13/16	.870
2575	1 1/2	1 13/16	1.370
2580	2	2 1/8	1.870
2581	2 1/2	2 1/4	2.370
2582	3	2 1/4	2.870
2583	4	2 5/8	3.834

REDUCING SIZES AVAILABLE UPON REQUEST

14 AHT



TYGON HOSE ADAPTER

PART NO.	TUBE SIZE	A	B
2676	1	4 11/16	.870
2681	1 1/2	4 11/16	1.370
2685	2	4 3/4	1.870
2687	2 1/2	4 7/8	2.370
2690	3	4 29/32	2.870
2691	4	5	3.834

REDUCING SIZES AVAILABLE UPON REQUEST



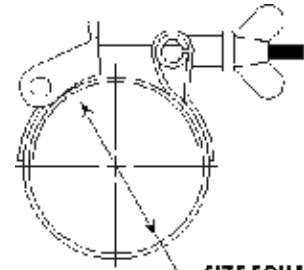


BEVEL SEAT FITTINGS

HOSE CLAMP

T14 HC

PART NO.	SIZE	PART NO.	SIZE
3550	1	3557	2 3/4
3551	1 1/4	3558	3
3553	1 1/2	3559	3 1/2
3554	2	3560	4
3555	2 1/4	3561	4 1/2
3556	2 1/2	3564	2 3/8

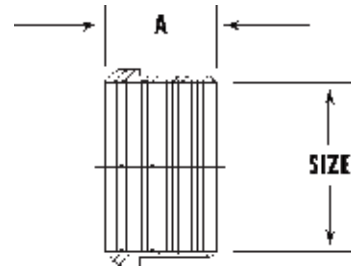


SIZE EQUALS HOSE O.D.

PLAIN RECESSLESS FERRULE

14 R

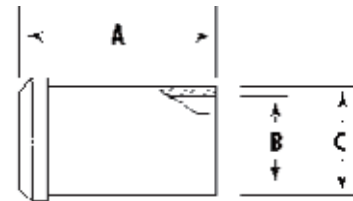
PART NO.	TUBE SIZE	A
2440	1	3/4
2441	1 1/2	1 1/8
2442	2	1 5/16
2443	2 1/2	1 3/8
2444	3	1 7/16
2445	4	1 1/2



PLAIN FERRULE TANK SPUD (HEAVY WALL)

14 W

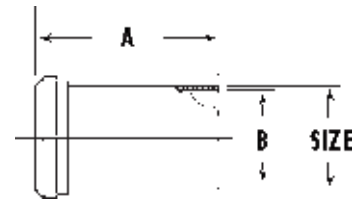
PART NO.	TUBE SIZE	A	B	C
2520	1	2 3/8	.870	1 5/32
2521	1 1/2	2 17/32	1.370	1 43/64
2522	2	2 25/32	1.870	2 3/16
2523	2 1/2	3 1/16	2.370	2 45/64
2524	3	3 17/32	2.870	3 7/32
2525	4	4 5/16	3.834	4 1/4



PLAIN FERRULE TANK SPUD (LIGHT WALL)

14 WL

PART NO.	TUBE SIZE	A	B
2534	1	2	.870
2535	1 1/2	2 1/4	1.370
2536	2	2 1/2	1.870
2537	2 1/2	2 3/4	2.370
2538	3	3	2.870
2539	4	4	3.834

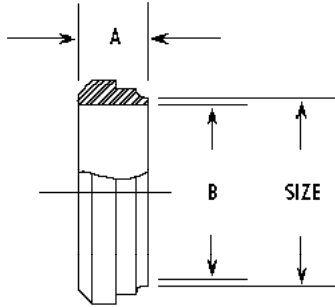


BEVEL SEAT FITTINGS



14 WS

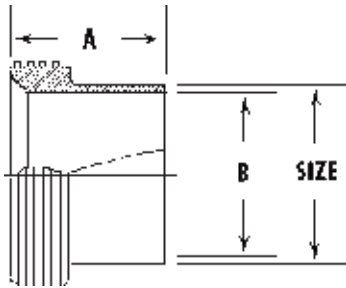
PLAIN FERRULE WELD



PART NO.	TUBE SIZE	A	B
2130	1	$\frac{23}{32}$.870
2131	1 1/2	$\frac{23}{32}$	1.370
2132	2	$\frac{3}{4}$	1.870
2133	2 1/2	$\frac{7}{8}$	2.370
2134	3	$\frac{29}{32}$	2.870
2136	4	1 1/32	3.834

15 A

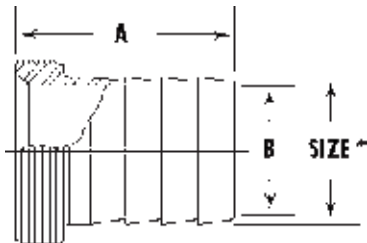
THREADED TUBE FERRULE



PART NO.	TUBE SIZE	A	B
2657	1	1 3/8	.870
2658	1 1/2	1 1/2	1.370
2659	2	1 1/2	1.870
2660	2 1/2	1 3/4	2.370
2661	3	1 3/4	2.870
2662	4	1 3/4	3.834

15 AHR

RUBBER HOSE ADAPTER

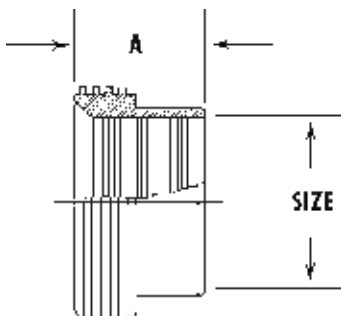


PART NO.	TUBE SIZE	A	B
2611	1	1 27/32	.870
2616	1 1/2	1 27/32	1.370
2621	2	2 1/8	1.870
2622	2 1/2	2 1/4	2.370
2623	3	2 9/32	2.870
2624	4	2 5/8	3.834

*SAME AS I.D. OF HOSE

15 R

THREADED RECESSLESS FERRULE



PART NO.	TUBE SIZE	A
2482	1	1 3/16
2483	1 1/2	1 1/8
2484	2	1 3/8
2485	2 1/2	1 1/2
2486	3	1 5/8
2487	4	1 5/8

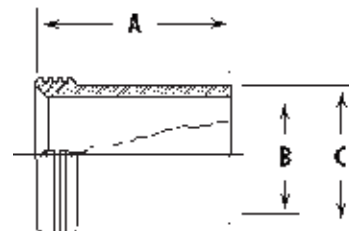




BEVEL SEAT FITTINGS

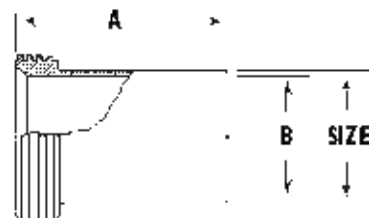
THREADED FERRULE TANK SPUD (HEAVY WALL) 15 W

PART NO.	TUBE SIZE	A	B	C
2490	1	1 1/2	.870	1 1/4
2491	1 1/2	1 5/8	1.370	1 3/4
2492	2	1 3/4	1.870	2 5/16
2493	2 1/2	1 3/4	2.370	2 7/8
2494	3	1 13/16	2.870	3 3/8
2495	4	2 1/8	3.834	4 1/4



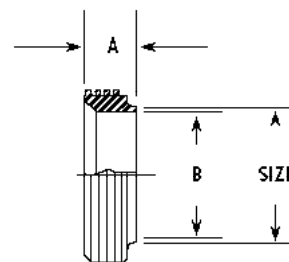
THREADED FERRULE TANK SPUD (LIGHT WALL) 15 WL

PART NO.	TUBE SIZE	A	B
2506	1	2	.870
2507	1 1/2	2 1/4	1.370
2508	2	2 1/2	1.870
2509	2 1/2	2 3/4	2.370
2510	3	3	2.870
2511	4	4	3.834



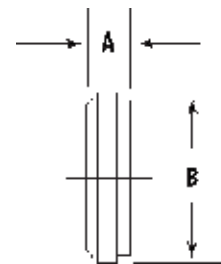
THREADED FERRULE WELD 15 WS

PART NO.	TUBE SIZE	A	B
2090	1	23/32	.870
2091	1 1/2	23/32	1.370
2093	2	3/4	1.870
2094	2 1/2	7/8	2.370
2095	3	29/32	2.870
2097	4	1 1/32	3.834



CAP 16 A

PART NO.	TUBE SIZE	A	B
2310	1	15/32	1 5/16
2311	1 1/2	9/16	1 27/32
2312	2	5/8	2 3/8
2313	2 1/2	21/32	2 29/32
2314	3	23/32	3 7/16
2315	4	13/16	4 1/2



ALSO AVAILABLE AS 23 B THERMOMETER CAP TAPPED N.P.T.

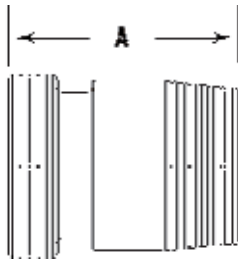


BEVEL SEAT FITTINGS



21

PIPE ADAPTER MALE SANITARY ACME THREAD TO MALE NPT

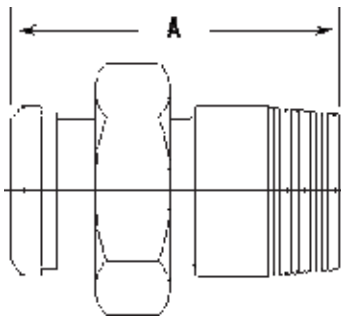


*May vary in length

PART NO.	TUBE SIZE	A*
5757	1 x 3/4	2 13/32
5758	1 x 1	2 15/32
5760	1 x 1 1/2	2 15/32
5761	1 x 2	2 15/32
5763	1 1/2 x 3/4	2 15/32
5764	1 1/2 x 1	2 19/32
5766	1 1/2 x 1 1/2	2 15/32
5770	2 x 1 1/2	2 29/32
5771	2 x 2	2 9/16
5774	2 1/2 x 1 1/2	3 7/32
5775	2 1/2 x 2	3 11/32
5776	2 1/2 x 2 1/2	3 1/2
5778	3 x 2	3 5/16
5780	3 x 3	3 13/32
5782	4 x 4	3 19/32

21 F

PIPE ADAPTER HEX NUT TO MALE NPT

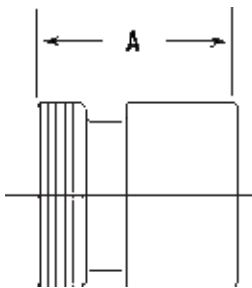


*May vary in length

PART NO.	TUBE SIZE	A*
5732	1	3 1/16
5738	1 1/2	3 3/8
5742	2	3 13/16
5745	2 1/2	4 3/4
5748	3	4 15/32
5750	4	5 11/32

22

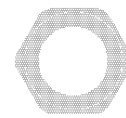
PIPE ADAPTER MALE SANITARY ACME TO FEMALE NPT



*May vary in length

PART NO.	TUBE SIZE	A*
5819	1	1 3/4
5827	1 1/2	1 15/16
5832	2	2 5/32
5837	2 1/2	2 9/32
5841	3	2 15/32
5843	4	2 15/32
5818	1 x 3/4	1 9/16
5821	1 x 1 1/2	1 9/16
5822	1 x 2	1 9/16
5824	1 1/2 x 3/4	1 11/16
5825	1 1/2 x 1	1 11/16
5831	2 x 1 1/2	1 13/16
5835	2 1/2 x 1 1/2	1 15/16
5836	2 1/2 x 2	1 15/16
5839	3 x 2	2 1/16



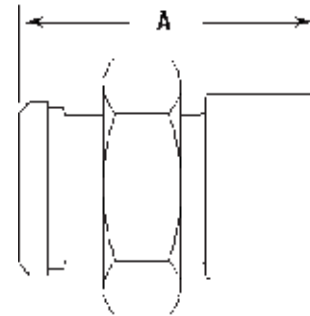


BEVEL SEAT FITTINGS

PIPE ADAPTER HEX NUT TO FEMALE NPT

22 F

PART NO.	TUBE SIZE	A*
5788	1	2 3/4
5796	1 1/2	3 7/32
5801	2	3 5/8
5807	2 1/2	3 15/16
5811	3	4 1/4
5813	4	4 11/16

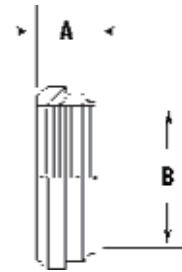


*May vary in length

CONCENTRIC RECESSLESS REDUCING FERRULE

31 R

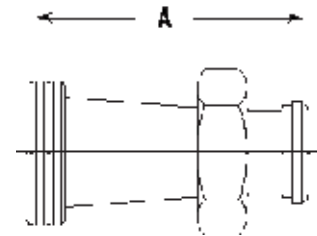
PART NO.	TUBE SIZE	A	B
2448	1 1/2 x 1	9/16	1
2449	2 x 1	5/8	1
2450	2 x 1 1/2	23/32	1 1/2
2452	2 1/2 x 1 1/2	21/32	1 1/2
2453	2 1/2 x 2	1	2
2456	3 x 2	1	2
2457	3 x 2 1/2	1 1/8	2 1/2
2461	4 x 2 1/2	1 1/8	2 1/2
2462	4 x 3	1 1/4	3



CONCENTRIC TAPER REDUCER MALE SANITARY ACME TO HEX NUT

31 TP

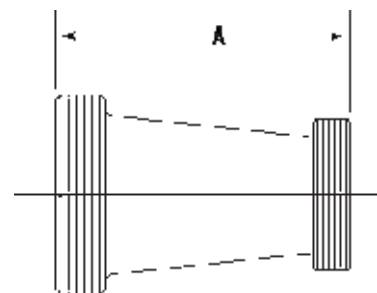
PART NO.	TUBE SIZE	A
8150	1 1/2 x 1	4 1/16
8151	2 x 1	6 1/8
8152	2 x 1 1/2	4 1/4
8153	2 1/2 x 1 1/2	6 3/8
8154	2 1/2 x 2	4 3/8
8156	3 x 2	6 3/8
8157	3 x 2 1/2	4 5/8
8160	4 x 2 1/2	8 3/4
8161	4 x 3	6 3/4



CONCENTRIC TAPER REDUCER MALE SANITARY ACME BOTH ENDS

31 TT

PART NO.	TUBE SIZE	A
8165	1 1/2 x 1	3 7/16
8166	2 x 1	5 15/32
8167	2 x 1 1/2	3 15/32
8168	2 1/2 x 1 1/2	5 19/32
8169	2 1/2 x 2	3 5/8
8171	3 x 2	5 21/32
8172	3 x 2 1/2	3 3/4
8175	4 x 2 1/2	7 29/32
8176	4 x 3	5 15/16

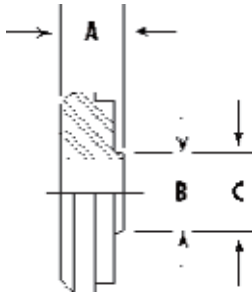


BEVEL SEAT FITTINGS



31 WS

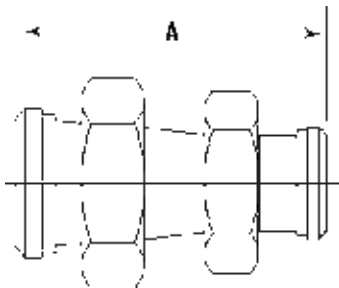
CONCENTRIC REDUCING WELD FERRULE



PART NO.	TUBE SIZE	A	B	C
2145	1 1/2 x 1	1 1/16	.870	1 1/32
2147	2 x 1	1 1/16	.870	1 1/32
2148	2 x 1 1/2	3/4	1.370	1 17/32
2150	2 1/2 x 1 1/2	3/4	1.370	1 17/32
2151	2 1/2 x 2	27/32	1.870	2 1/32
2154	3 x 2	27/32	1.870	2 1/32
2155	3 x 2 1/2	27/32	2.370	2 17/32
2159	4 x 2 1/2	27/32	2.370	2 17/32
2160	4 x 3	29/32	2.870	3 1/32

31-14F

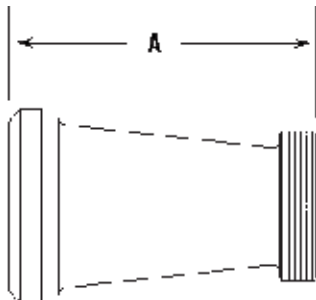
CONCENTRIC TAPER REDUCER NUT BOTH ENDS



PART NO.	TUBE SIZE	A
8180	1 1/2 x 1	4 1/16
8181	2 x 1	6 1/8
8182	2 x 1 1/2	4 1/4
8184	2 1/2 x 1 1/2	6 3/8
8185	2 1/2 x 2	4 3/8
8188	3 x 2	6 3/8
8189	3 x 2 1/2	4 5/8
8193	4 x 2 1/2	8 3/4
8194	4 x 3	6 3/4

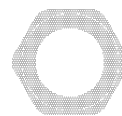
31-15F

CONCENTRIC TAPER REDUCER PLAIN FERRULE TO MALE ACME THREAD



PART NO.	TUBE SIZE	A
8196	1 1/2 x 1	3 7/16
8197	2 x 1	5 15/32
8198	2 x 1 1/2	3 15/32
8200	2 1/2 x 1 1/2	5 19/32
8201	2 1/2 x 2	3 5/8
8203	3 x 2	5 21/32
8204	3 x 2 1/2	3 3/4
8207	4 x 2 1/2	7 29/32
8208	4 x 3	5 15/16



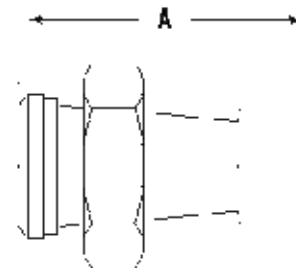


BEVEL SEAT FITTINGS

CONCENTRIC TAPER ADAPTER NUT TO FEMALE NPT

31-18F

PART NO.	TUBE SIZE	A*
8211	1 1/2 x 1	2 13/16
8212	2 x 1	5 29/32
8213	2 x 1 1/2	4 1/32
8214	2 1/2 x 1 1/2	6 1/32
8215	2 1/2 x 2	4 15/32
8216	3 x 2	6 11/32
8217	3 x 2 1/2	4 11/32
8218	4 x 2 1/2	8 7/16
8219	4 x 3	6 7/16

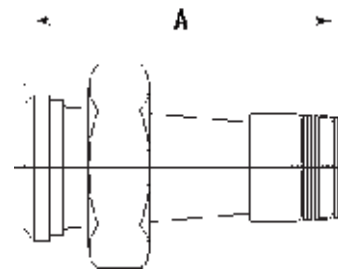


*May vary in length

CONCENTRIC TAPER ADAPTER NUT TO MALE NPT

31-19F

PART NO.	TUBE SIZE	A*
8226	1 1/2 x 1	4 9/16
8227	2 x 1	6 21/32
8228	2 x 1 1/2	4 23/32
8229	2 1/2 x 1 1/2	6 23/32
8230	2 1/2 x 2	5 1/16
8231	3 x 2	7 1/8
8232	3 x 2 1/2	5 9/16
8233	4 x 2 1/2	9 21/32
8234	4 x 3	7 23/32

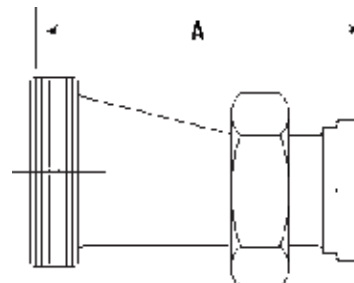


*May vary in length

ECCENTRIC TAPER REDUCER MALE ACME TO NUT

32 TP

PART NO.	TUBE SIZE	A
8241	1 1/2 x 1	4 1/16
8242	2 x 1	6 1/8
8243	2 x 1 1/2	4 1/4
8244	2 1/2 x 1 1/2	6 3/8
8245	2 1/2 x 2	4 3/8
8247	3 x 2	6 3/8
8248	3 x 2 1/2	4 5/8
8251	4 x 2 1/2	8 3/4
8252	4 x 3	6 3/4

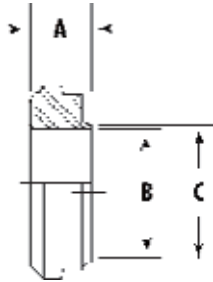


BEVEL SEAT FITTINGS



32 WS

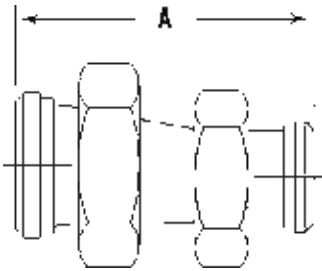
ECCENTRIC REDUCING WELD FERRULE



PART NO.	TUBE SIZE	A	B	C
2550	1 1/2 x 1	1 1/16	.870	1
2551	2 x 1	1 1/16	.870	1
2552	2 x 1 1/2	3/4	1.370	1 1/2
2554	2 1/2 x 1 1/2	3/4	1.370	1 1/2
2555	2 1/2 x 2	27/32	1.870	2
2558	3 x 2	27/32	1.870	2
2559	3 x 2 1/2	27/32	2.370	2 1/2
2563	4 x 2 1/2	27/32	2.370	2 1/2
2564	4 x 3	29/32	2.870	3

32-14F

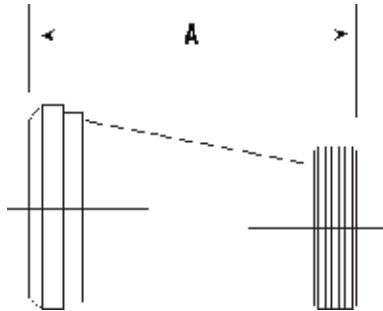
ECCENTRIC TAPER REDUCER NUT BOTH ENDS



PART NO.	TUBE SIZE	A
8255	1 1/2 x 1	4 1/16
8256	2 x 1	6 1/8
8257	2 x 1 1/2	4 1/4
8259	2 1/2 x 1 1/2	6 3/8
8260	2 1/2 x 2	4 3/8
8262	3 x 2	6 3/8
8263	3 x 2 1/2	4 5/8
8266	4 x 2 1/2	8 3/4
8267	4 x 3	6 3/4

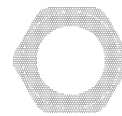
32-15F

ECCENTRIC TAPER REDUCER PLAIN FERRULE TO MALE ACME



PART NO.	TUBE SIZE	A
8270	1 1/2 x 1	3 7/16
8271	2 x 1	5 15/32
8272	2 x 1 1/2	3 15/32
8274	2 1/2 x 1 1/2	5 19/32
8275	2 1/2 x 2	3 5/8
8277	3 x 2	5 21/32
8278	3 x 2 1/2	3 3/4
8281	4 x 2 1/2	7 29/32
8282	4 x 3	5 15/16





BEVEL SEAT FITTINGS

GASKET BS

40 BS

PART NO.	TUBE SIZE
3360-*0	1
3361-*0	1 1/2
3362-*0	2
3363-*0	2 1/2
3364-*0	3
3365-*0	4

*AVAILABLE IN BUNA, VITON AND TEFLON

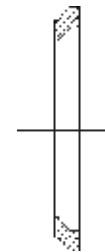


GASKET BS (HEAVY DUTY)

40 BSB

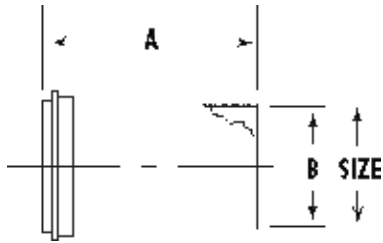
PART NO.	TUBE SIZE
3360-*X	1
3361-*X	1 1/2
3362-*X	2
3363-*X	2 1/2
3364-*X	3
3365-*X	4

*AVAILABLE IN BUNA, VITON AND TEFLON



14A JP

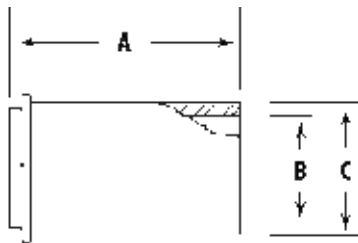
PLAIN TUBE FERRULE JP



PART NO.	TUBE SIZE	A	B
2648	1	1 3/8	.870
2649	1 1/2	1 1/2	1.370
2650	2	1 1/2	1.870
2651	2 1/2	1 3/4	2.370
2652	3	1 3/4	2.870
2653	4	1 3/4	3.834

14W JP

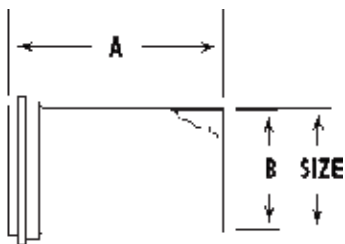
PLAIN FERRULE TANK SPUD (HEAVY WALL) JP



PART NO.	TUBE SIZE	A	B	C
2527	1	2 3/8	.870	1 5/32
2528	1 1/2	2 17/32	1.370	1 43/64
2529	2	2 25/32	1.870	2 3/16
2530	2 1/2	3 1/16	2.370	2 45/64
2531	3	3 17/32	2.870	3 7/32
2532	4	4 5/16	3.834	4 1/4

14WL JP

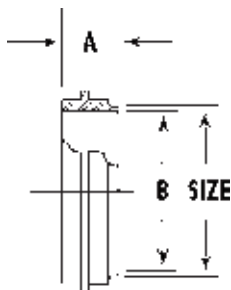
PLAIN FERRULE TANK SPUD (LIGHT WALL) JP



PART NO.	TUBE SIZE	A	B
2541	1	2	.870
2542	1 1/2	2 1/4	1.370
2543	2	2 1/2	1.870
2544	2 1/2	2 3/4	2.370
2545	3	3	2.870
2546	4	4	2.834

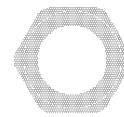
14WS JP

PLAIN FERRULE WELD JP



PART NO.	TUBE SIZE	A	B
2120	1	5/8	.870
2121	1 1/2	2 1/32	1.370
2122	2	2 1/32	1.870
2123	2 1/2	2 5/32	2.230
2124	3	1 3/16	2.870
2125	4	1 1/32	3.834

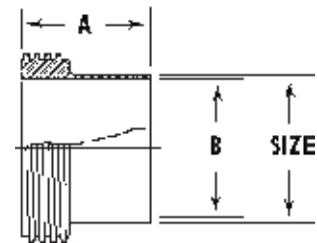




THREADED TUBE FERRULE JP

15A JP

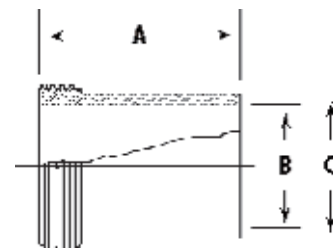
PART NO.	TUBE SIZE	A	B
2665	1	1 3/8	.870
2666	1 1/2	1 1/2	1.370
2667	2	1 1/2	1.870
2668	2 1/2	1 3/4	2.370
2669	3	1 3/4	2.870
2670	4	1 3/4	3.834



THREADED FERRULE TANK SPUD (HEAVY WALL) JP

15W JP

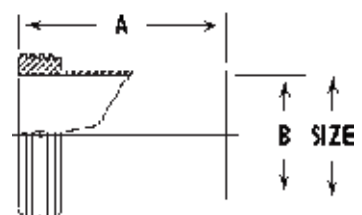
PART NO.	TUBE SIZE	A	B	C
2498	1	1 1/2	.870	1 1/4
2499	1 1/2	1 5/8	1.370	1 3/4
2500	2	1 3/4	1.870	2 5/16
2501	2 1/2	1 3/4	2.370	2 7/8
2502	3	1 13/16	2.870	3 3/8
2503	4	2 1/8	3.834	4 1/4



THREADED FERRULE TANK SPUD (LIGHT WALL) JP

15WL JP

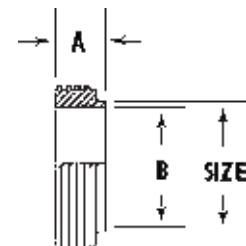
PART NO.	TUBE SIZE	A	B
2514	1	2	.870
2515	1 1/2	2 1/4	1.370
2516	2	2 1/2	1.870
2517	2 1/2	2 3/4	2.370
2518	3	3	2.870
2519	4	4	3.834



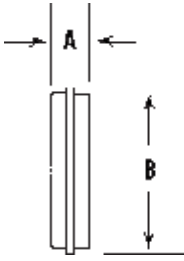
THREADED FERRULE WELD JP

15WS JP

PART NO.	TUBE SIZE	A	B
2100	1	1 1/16	.870
2101	1 1/2	1 1/16	1.370
2102	2	3/4	1.870
2103	2 1/2	27/32	2.370
2104	3	7/8	2.870
2105	4	1 1/32	3.834

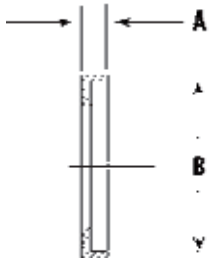


16A JP **CAP JP**



PART NO.	TUBE SIZE	A	B
2204	1	15/32	1 5/16
2205	1 1/2	9/16	1 27/32
2206	2	5/8	2 3/8
2207	2 1/2	21/32	2 29/32
2208	3	23/32	3 7/16
2209	4	13/16	4 1/2

40 JP **GASKET JP**



PART NO.	TUBE SIZE	A	B
3344	1	1/4	1 1/4
3345	1 1/2	1/4	1 13/16
3346	2	9/32	2 5/16
3347	2 1/2	11/32	2 7/8
3348	3	11/32	3 3/8
3349	4	3/8	4 1/2

AVAILABLE IN BUNA, VITON AND TEFLON



THOMSEN

Quality stainless steel blow equipment.



CLAMP FITTINGS

Clamp Fittings

For 60 years, L. C. Thomsen has been supplying high quality products to the dairy, food and beverage industry. When you think of *THOMSEN*[®], three words come to mind: excellence, quality and teamwork.

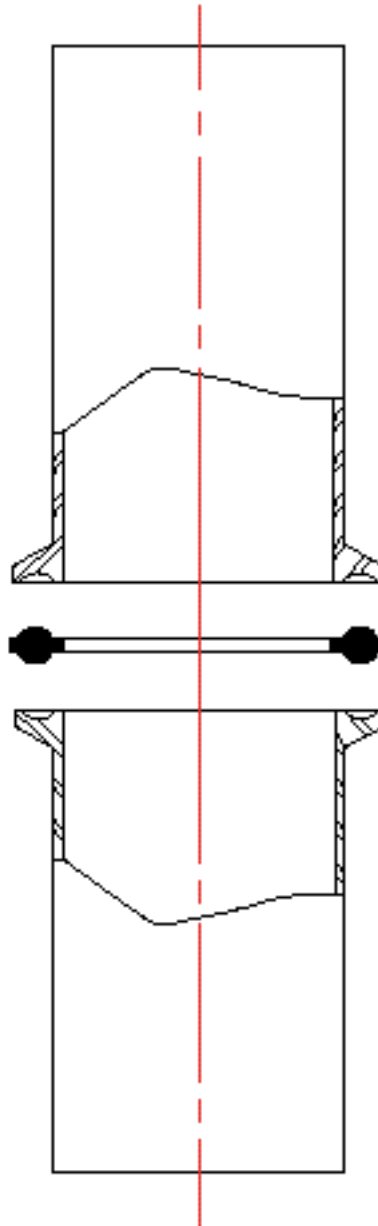
Excellence and quality are best achieved through teamwork and a shared vision. At *THOMSEN*[®] we strive to:

- Manufacture the finest quality sanitary equipment in the marketplace.
- Deliver on time.
- Concentrate on customer care.
- Provide the lowest cost possible.

These widely used sanitary fittings are manufactured from both T-304 and T-316 stainless steel. It is a quick-couple assembly with a molded gasket, two flanged ferrules and a clamp. *THOMSEN*[®] clamp fittings provide a secure sanitary joint, fully approved and meeting 3A Standards.

THOMSEN[®] clamp fittings are available in 1" through 4" sizes and they are available in a variety of finishes.

When you need sanitary fittings, there is only one name to remember. *THOMSEN*[®], the trusted name for sanitary fittings, pumps and valves for the dairy, food and beverage industries for over 60 years.



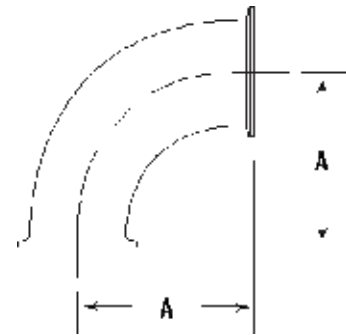
3A authorized 



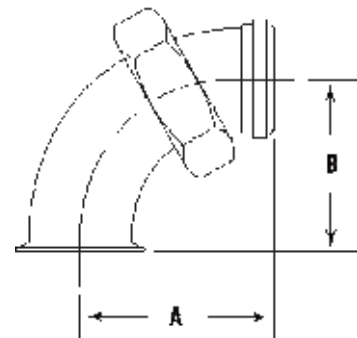
90° ELL **TS/2C**

PART NO.	TUBE SIZE	A
6015	1	2
6016	1 1/2	2 3/4
6017	2	3 1/2
6018	2 1/2	4 1/2
6019	3	5
6020	4	6 5/8

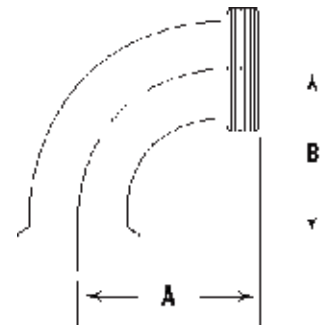
NOTE: ONE INCH FITTINGS USE 1 1/2" CLAMP ASSEMBLIES


90° ELL **TS/2F-14**

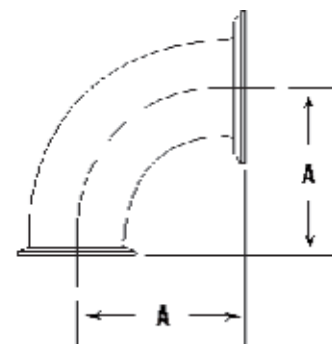
PART NO.	TUBE SIZE	A	B
6023	1 1/2	2 31/32	2 3/4
6024	2	3 3/4	3 1/2
6025	2 1/2	4 5/8	4 1/4
6026	3	5 13/32	5
6027	4	7	6 5/8


90° ELL **TS/2F-15**

PART NO.	TUBE SIZE	A	B
6030	1 1/2	2 31/32	2 3/4
6031	2	3 3/4	3 1/2
6032	2 1/2	4 5/8	4 1/4
6033	3	5 13/32	5
6034	4	7	6 5/8


90° ELL **TS/2C-31**

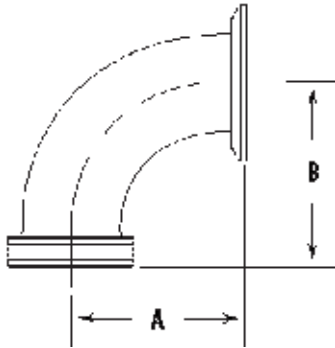
PART NO.	TUBE SIZE	A
6040	2	x 1
6041	2 1/2	x 2 3/4
6042	2 1/2 x 1/2	1 2 3/4
6043	2 1/2 x	2 1/2
6044	3 1/2	x 2 3/4
6045	3	x 1/2
6046	3 1/2	x 4 1/4
6049	4 1/2	x 4 1/4
6050	4	x 3



CLAMP FITTINGS

TS/31-2C

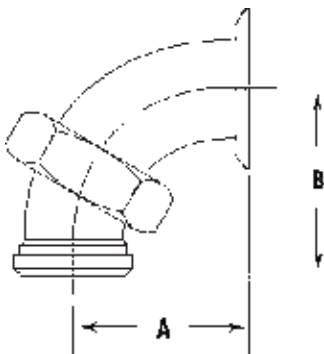
90° ADAPTER REDUCING CONCENTRIC



PART NO.	TUBE SIZE	A	B
6055	1 1/2 x 1	2	2 7/32
6056	2 x 1	2	2 7/32
6057	2 x 1 1/2	2 3/4	2 31/32
6058	2 1/2 x 1 1/2	2 3/4	2 31/32
6059	2 1/2 x 2	3 1/2	3 3/4
6061	3 x 2	3 1/2	3 3/4
6062	3 x 2 1/2	4 1/4	4 5/8
6065	4 x 2 1/2	4 1/4	4 5/8
6066	4 x 3	5	5 13/32

TS/31-2F

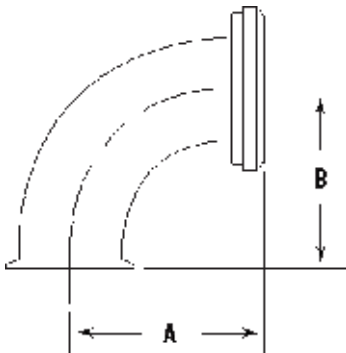
90° ADAPTER REDUCING CONCENTRIC CAPTIVE NUT



PART NO.	TUBE SIZE	A	B
6070	1 1/2 x 1	2	2 7/32
6071	2 x 1	2	2 7/32
6072	2 x 1 1/2	2 3/4	2 31/32
6073	2 1/2 x 1 1/2	2 3/4	2 31/32
6074	2 1/2 x 2	3 1/2	3 3/4
6076	3 x 2	3 1/2	3 3/4
6077	3 x 2 1/2	4 1/4	4 5/8
6080	4 x 2 1/2	4 1/4	4 5/8
6081	4 x 3	5	5 13/32

TS/2F-31

90° ADAPTER REDUCING CONCENTRIC



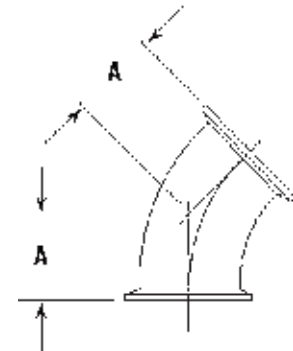
PART NO.	TUBE SIZE	A	B
6085	1 1/2 x 1	2 3/16	2
6086	2 x 1	2 3/16	2
6087	2 x 1 1/2	3	2 3/4
6088	2 1/2 x 1 1/2	3	2 3/4
6089	2 1/2 x 2	3 27/32	3 1/2
6091	3 x 2	3 27/32	3 1/2
6092	3 x 2 1/2	4 19/32	4 1/4
6095	4 x 2 1/2	4 19/32	4 1/4
6096	4 x 3	5 13/32	5



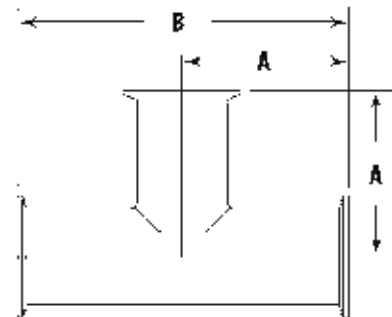
45° ELL
TS/2K

PART NO.	TUBE SIZE	A
6500	1	1 1/8
6501	1 1/2	1 7/16
6502	2	1 3/4
6503	2 1/2	2 1/16
6504	3	2 3/8
6505	4	3 1/8

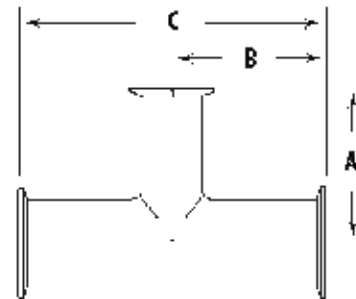
NOTE: ONE INCH FITTINGS USE 1 1/2" CLAMP ASSEMBLIES


TEE
TS/7

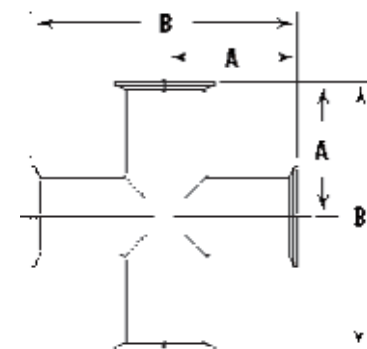
PART NO.	TUBE SIZE	A	B
7020	1	2 3/8	4 3/4
7021	1 1/2	2 3/4	5 1/2
7022	2	3 1/2	7
7023	2 1/2	3 1/2	7
7024	3	3 3/4	7 1/2
7025	4	4 1/2	9


REDUCING TEE
TS/7R

PART NO.	TUBE SIZE	A	B	C	
7136	1 1/2 x	7/8	1	2 3/32	4 5/16
7137	2	1/8x	2 9/16	1	5 1/8
7138	2 1/2	2 13/16	2 9/16	1	5 1/8
7141	2 1/2 x	13/16	2	2 27/32	5 11/16
7144	3	1/16	3 3/32	2	6 3/36
7145	3 1/2	3 3/32	3 3/32	2	6 3/16
7146	4	1/2x	4 1/2	2	9 4


CROSS
TS/9

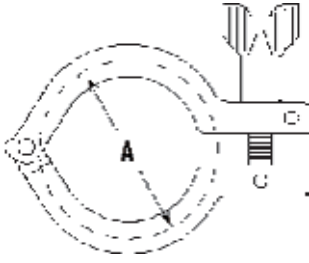
PART NO.	TUBE SIZE	A	B
7510	1	2 3/8	4 3/4
7511	1 1/2	2 3/4	5 1/2
7512	2	3 1/2	7
7513	2 1/2	3 1/2	7
7514	3	3 3/4	7 1/2
7515	4	4 1/2	9



CLAMP FITTINGS

TS/13H

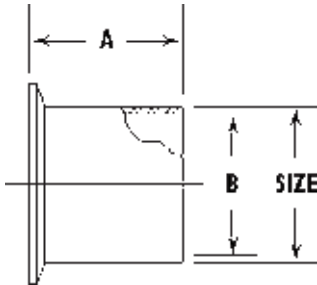
CLAMP HEAVY DUTY



PART NO.	A	TUBE SIZE
3521	2.1	1 1/2
3522	2.6	2
3523	3.2	2 1/2
3524	3.7	3
3525	4.8	4
3519	6.7	6

TS/14A

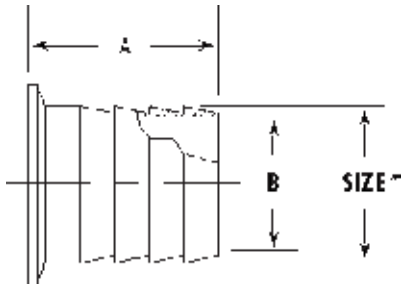
FERRULE



PART NO.	TUBE SIZE	A	B
2280	1	1 1/8	.870
2281	1 1/2	1 1/8	1.370
2282	2	1 1/8	1.870
2283	2 1/2	1 1/8	2.370
2284	3	1 1/8	2.870
2285	4	1 1/8	3.834
2286	6	1 1/8	5.782

TS/14HR

RUBBER HOSE ADAPTER



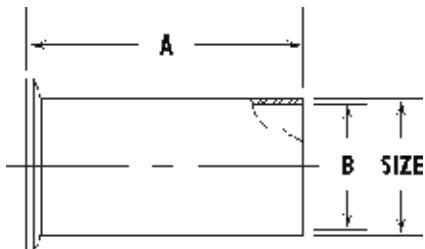
* SAME AS I.D. OF HOSE

PART NO.	TUBE SIZE	A	B
2628	1	1 5/8	.870
2629	1 1/2	1 5/8	1.370
2631	2	1 7/8	1.870
2633	2 1/2	1 7/8	2.370
2634	3	1 7/8	2.870
2635	4	2 1/8	3.834

REDUCING SIZES AVAILABLE UPON REQUEST

TS/14HT

TYGON HOSE ADAPTER



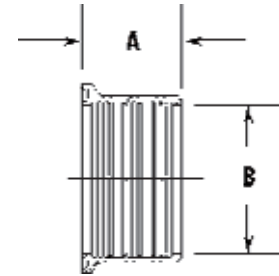
PART NO.	TUBE SIZE	A	B
2320	1	4 1/2	.870
2321	1 1/2	4 1/2	1.370
2322	2	4 1/2	1.870
2323	2 1/2	4 1/2	2.370
2324	3	4 1/2	2.870
2325	4	4 5/8	3.834

REDUCING SIZES AVAILABLE UPON REQUEST

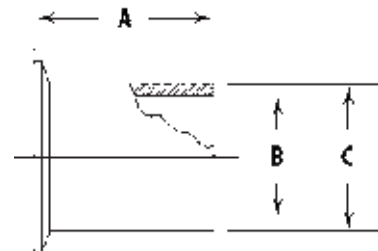


FERRULE RECESSLESS
TS/14R

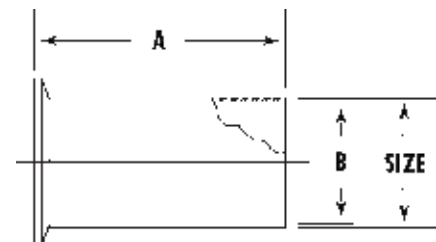
PART NO.	TUBE SIZE	A	B
2400	1 1/2	1 1/8	1.500
2401	2	1 5/16	2.000
2402	2 1/2	1 3/8	2.500
2403	3	1 7/16	3.000
2404	4	1 1/2	4.000


TANK FERRULE HEAVY WALL
TS/14W

PART NO.	TUBE SIZE	A	B	C
2360	1	1 5/8	.870	1.160
2361	1 1/2	1 5/8	1.370	1.675
2362	2	1 3/4	1.870	2.192
2363	2 1/2	1 3/4	2.370	2.708
2364	3	1 13/16	2.870	3.224
2365	4	2 1/8	3.834	4.256

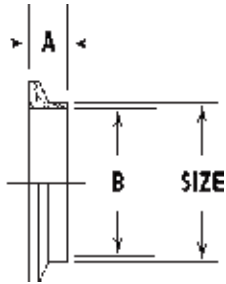

TANK FERRULE LIGHT WALL
TS/14WL

PART NO.	TUBE SIZE	A	B
2290	1	3	.870
2291	1 1/2	3	1.370
2292	2	3	1.870
2293	2 1/2	3	2.370
2294	3	4	2.870
2295	4	4	3.834



CLAMP FITTINGS

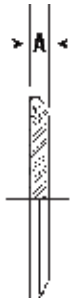
TS/14WS



WELDING FERRULE SHORT

PART NO.	TUBE SIZE	A	B
2006	1	1/2	.870
2007	1 1/2	1/2	1.370
2008	2	1/2	1.870
2010	2 1/2	1/2	2.370
2011	3	1/2	2.870
2013	4	5/8	3.834
2014	6	1 1/2	5.782

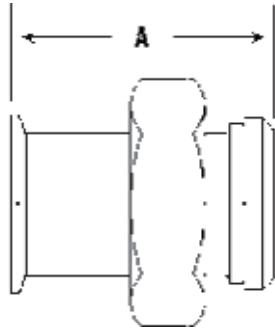
TS/16A



CAP

PART NO.	TUBE SIZE	A
2210	1 1/2	1/4
2211	2	1/4
2212	2 1/2	1/4
2213	3	1/4
2214	4	5/16
2215	6	7/16

TS/17-14



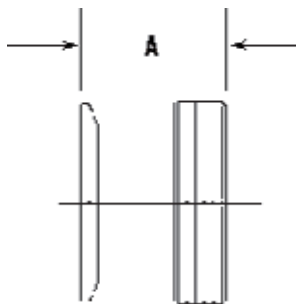
ADAPTER COUPLING CLAMP TO PLAIN

PART NO.	TUBE SIZE	A
7200	1	3
7201	1 1/2	3
7202	2	3
7203	2 1/2	3 1/2
7204	3	3 3/4
7205	4	4

SEE SPECIALS SECTION FOR

OTHER

TS/17-15



ADAPTER COUPLING CLAMP TO THREAD

PART NO.	TUBE SIZE	A
7210	1	1 11/16
7211	1 1/2	1 23/32
7212	2	1 23/32
7213	2 1/2	1 27/32
7214	3	1 29/32
7215	4	2 11/32

SEE SPECIALS SECTION FOR

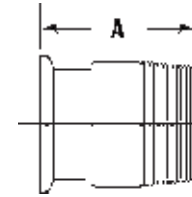
OTHER



ADAPTER CLAMP TO MALE NPT
TS/21

PART NO.	TUBE SIZE	A
5882	1 x 1	2 1/4
5885	1 1/2 x 1	2 5/16
5887	1 1/2 x 1 1/2	2 7/16
5888	1 1/2 x 2	2 5/8
5893	2 x 1 1/2	2 15/32
5894	2 x 2	2 21/32
5898	2 1/2 x 2	2 25/32
5899	2 1/2 x 2 1/2	3 9/32
5903	3 x 3	3 1/2
5905	4 x 4	3 13/16

SANITARY END LISTED FIRST

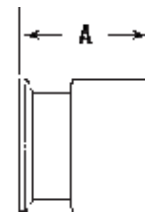


*May vary in length

ADAPTER CLAMP TO FEMALE NPT
TS/22

PART NO.	TUBE SIZE	A
5849	1 x 1	1 5/8
5855	1 1/2 x 1	1 5/8
5857	1 1/2 x 1 1/2	2 1/4
5858	1 1/2 x 2	2 1/4
5861	2 x 1 1/2	1 11/16
5862	2 x 2	2 11/32
5866	2 1/2 x 2	1 23/32
5867	2 1/2 x 2 1/2	2 3/32
5871	3 x 3	2 3/16
5873	4 x 4	2 5/8

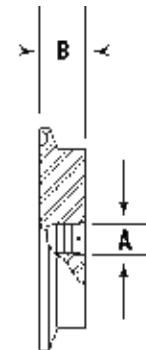
SANITARY END LISTED FIRST



*May vary in length

THERMOMETER CAP
TS/23B

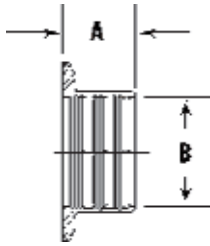
PART NO.	TUBE SIZE	A	B
2370-0C	1 1/2	3/8	9/16
2370-0D	1 1/2	1/2	9/16
2371-0C	2	3/8	5/8
2371-0E	2	3/4	5/8
2372-0E	2 1/2	3/4	21/32
2373-0E	3	3/4	23/32
2374-0E	4	3/4	13/16



CLAMP FITTINGS

TS/31R

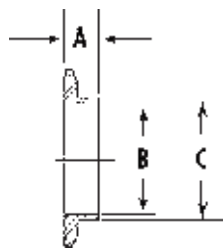
CONCENTRIC REDUCER FERRULE RECESSLESS



PART NO.	TUBE SIZE	A	B
2407	1 1/2 x 1	3/4	1
2408	2 x 1	3/4	1
2409	2 x 1 1/2	1 1/8	1 1/2
2411	2 1/2 x 1 1/2	1 1/8	1 1/2
2412	2 1/2 x 2	1 3/8	2
2415	3 x 2	1 3/8	2
2416	3 x 2 1/2	1 1/2	2 1/2
2420	4 x 2 1/2	1 1/2	2 1/2
2421	4 x 3	1 5/8	3

TS/31W

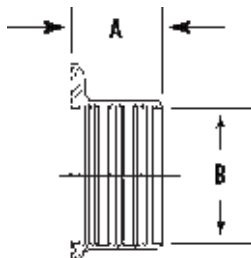
CONCENTRIC REDUCER FERRULE WELD



PART NO.	TUBE SIZE	A	B	C
2006	1 1/2 x 1	1/2	.870	1
2067	2 x 1	1/2	.870	1
2068	2 x 1 1/2	1/2	1.370	1 1/2
2069	2 1/2 x 1 1/2	1/2	1.370	1 1/2
2070	2 1/2 x 2	1/2	1.870	2
2072	3 x 1 1/2	1/2	1.370	1 1/2
2073	3 x 2	1/2	1.870	2
2074	3 x 2 1/2	1/2	2.370	2 1/2
2076	4 x 2	1/2	1.870	2
2077	4 x 2 1/2	1/2	2.370	2 1/2
2078	4 x 3	1/2	2.870	3

TS/32R

ECCENTRIC REDUCER FERRULE RECESSLESS

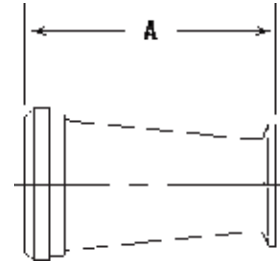


PART NO.	TUBE SIZE	A	B
2424	1 1/2 x 1	3/4	1
2425	2 x 1	3/4	1
2426	2 x 1 1/2	1 1/8	1 1/2
2428	2 1/2 x 1 1/2	1 1/8	1 1/2
2429	2 1/2 x 2	1 3/8	2
2432	3 x 2	1 3/8	2
2433	3 x 2 1/2	1 1/2	2 1/2
2437	4 x 2 1/2	1 1/2	2 1/2
2438	4 x 3	1 5/8	3

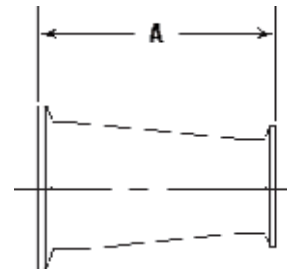


**ADAPTER REDUCING CONCENTRIC PLAIN TO CLAMP****31-TS/14**

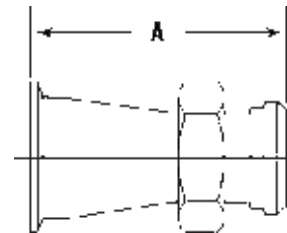
PART NO.	TUBE SIZE	A
8000	1 1/2 x 1	3 7/32
8001	2 x 1	5 1/4
8002	2 x 1 1/2	3 1/4
8003	2 1/2 x 1 1/2	5 3/8
8004	2 1/2 x 2	3 3/8
8006	3 x 2	5 13/32
8007	3 x 2 1/2	3 13/32
8010	4 x 2 1/2	7 17/32
8011	4 x 3	5 17/32

**ADAPTER REDUCING CONCENTRIC CLAMP TO CLAMP****TS/31-14**

PART NO.	TUBE SIZE	A
8015	1 1/2 x 1	3
8016	2 x 1	5
8017	2 x 1 1/2	3
8019	2 1/2 x 1 1/2	5
8020	2 1/2 x 2	3
8021	3 x 1 1/2	7
8022	3 x 2	5
8023	3 x 2 1/2	3
8025	4 x 2	9 1/8
8026	4 x 2 1/2	7 1/8
8027	4 x 3	5 1/8

**ADAPTER REDUCING CONCENTRIC CLAMP TO PLAIN****TS/31-14A**

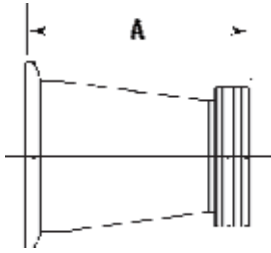
PART NO.	TUBE SIZE	A
8030	1 1/2 x 1	3 7/8
8031	2 x 1	5 7/8
8032	2 x 1 1/2	4
8033	2 1/2 x 1 1/2	6
8034	2 1/2 x 2	4
8036	3 x 2	6
8037	3 x 2 1/2	4 1/4
8040	4 x 2 1/2	8 3/8
8041	4 x 3	6 3/8



CLAMP FITTINGS

TS/31-15

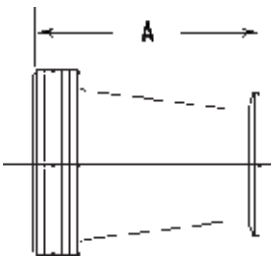
ADAPTER REDUCING CONCENTRIC CLAMP TO THREAD



PART NO.	TUBE SIZE	A
8045	1 1/2 x 1	3 7/32
8046	2 x 1	5 27/32
8047	2 x 1 1/2	3 7/32
8048	2 1/2 x 1 1/2	5 7/32
8049	2 1/2 x 2	3 1/4
8051	3 x 2	5 1/4
8052	3 x 2 1/2	3 3/8
8055	4 x 2 1/2	7 1/2
8056	4 x 3	5 17/32

15-TS/31

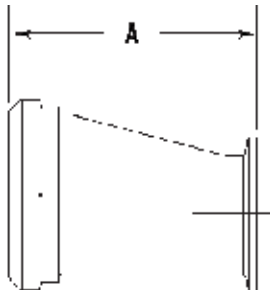
ADAPTER REDUCING CONCENTRIC THREAD TO CLAMP



PART NO.	TUBE SIZE	A
8060	1 1/2 x 1	3 7/32
8061	2 x 1	5 1/4
8062	2 x 1 1/2	3 1/4
8063	2 1/2 x 1 1/2	5 3/8
8064	2 1/2 x 2	3 3/8
8066	3 x 2	5 13/32
8067	3 x 2 1/2	3 13/32
8070	4 x 2 1/2	7 17/32
8071	4 x 3	5 17/32

32-TS/14

ADAPTER REDUCING ECCENTRIC PLAIN TO CLAMP

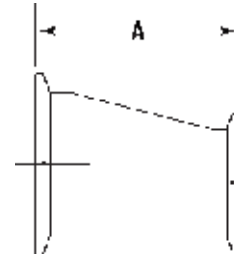


PART NO.	TUBE SIZE	A
8075	1 1/2 x 1	3 7/32
8076	2 x 1	5 1/4
8077	2 x 1 1/2	3 1/4
8078	2 1/2 x 1 1/2	5 3/8
8079	2 1/2 x 2	3 3/8
8081	3 x 2	5 13/32
8082	3 x 2 1/2	3 13/32
8085	4 x 2 1/2	7 17/32
8086	4 x 3	5 17/32

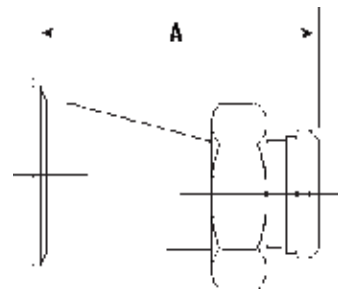


**ADAPTER REDUCING ECCENTRIC CLAMP TO CLAMP****TS/32-14**

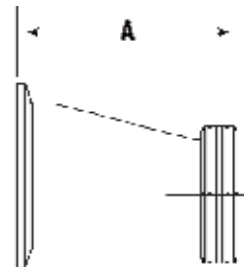
PART NO.	TUBE SIZE	A
8090	1 1/2 x 1	3
8091	2 x 1	5
8092	2 x 1 1/2	3
8093	2 1/2 x 1 1/2	5
8094	2 1/2 x 2	3
8096	3 X 2	5
8097	3 X 2 1/2	3
8100	4 x 2 1/2	7 1/8
8101	4 x 3	5 1/8

**ADAPTER REDUCING ECCENTRIC CLAMP TO PLAIN****TS/32-14A**

PART NO.	TUBE SIZE	A
8105	1 1/2 x 1	3 7/8
8106	2 x 1	5 7/8
8107	2 x 1 1/2	4
8108	2 1/2 x 1 1/2	6
8109	2 1/2 x 2	4
8111	3 X 2	6
8112	3 X 2 1/2	4 1/4
8115	4 x 2 1/2	8 3/8
8116	4 x 3	6 3/8

**ADAPTER REDUCING ECCENTRIC CLAMP TO THREAD****TS/32-15**

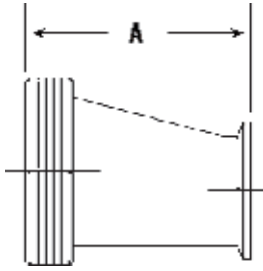
PART NO.	TUBE SIZE	A
8120	1 1/2 x 1	3 7/32
8121	2 x 1	5 7/32
8122	2 x 1 1/2	3 7/32
8123	2 1/2 x 1 1/2	5 7/32
8124	2 1/2 x 2	3 1/4
8126	3 X 2	5 1/4
8127	3 X 2 1/2	3 3/8
8130	4 x 2 1/2	7 1/2
8131	4 x 3	5 17/32



CLAMP FITTINGS

15-TS/32

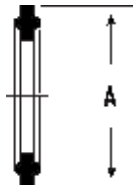
ADAPTER REDUCING ECCENTRIC THREAD TO CLAMP



PART NO.	TUBE SIZE	A
8135	1 1/2 x 1	3 7/32
8136	2 x 1	5 1/4
8137	2 x 1 1/2	3 1/4
8138	2 1/2 x 1 1/2	5 3/8
8139	2 1/2 x 2	3 3/8
8141	3 X 2	5 13/32
8142	3 X 2 1/2	3 13/32
8145	4 x 2 1/2	7 17/32
8146	4 x 3	5 17/32

TS/40H

GASKET



PART NO.	TUBE SIZE	A
3094 -B, -E, -T, -V, -S	1	1 15/16
3095 -B, -E, -T, -V, -S	1 1/2	1 15/16
3096 -B, -E, -T, -V, -S	2	2 15/32
3097 -B, -E, -T, -V, -S	2 1/2	3
3098 -B, -E, -T, -V, -S	3	3 17/32
3099 -B, -E, -T, -V, -S	4	4 5/8
3109 -B, -E, -T, -V, -S	6	6 17/32

AVAILABLE IN BUNA, EPDM, TEFLON, SILICONE AND VITON



THOMSEN

Quality stainless steel flow equipment.



SANITARY BUTT-WELD FITTINGS

Sanitary Butt-Weld

For over 60 years, L. C. Thomsen has been supplying high quality products to the dairy, food and beverage industry. When you think of *THOMSEN*[®], three words come to mind: excellence, quality and teamwork.

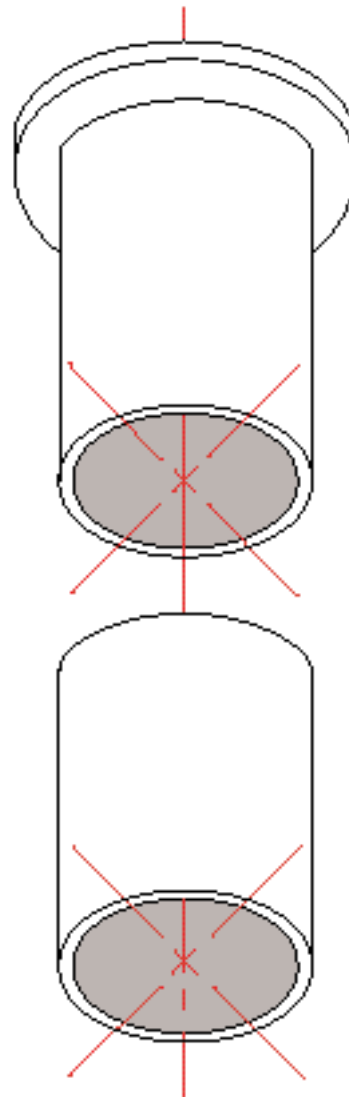
Excellence and quality are best achieved through teamwork and a shared vision. At *THOMSEN*[®] we strive to:

- Manufacture the finest quality sanitary equipment in the marketplace.
- Deliver on time.
- Concentrate on customer care.
- Provide the lowest cost possible.

These widely used sanitary fittings are manufactured from both T-304 and T-316 stainless steel. Flush joint, butt-welded fittings allow full and unrestricted flow and are available with bevel seat or clamp ends. Sanitary butt-weld fittings provide a secure sanitary joint, fully approved and meeting 3A Standards.

Sanitary butt-weld fittings are available in 1" through 4" sizes and they are available in a variety of finishes.

When you need sanitary fittings, there is only one name to remember. *THOMSEN*[®], the trusted name for sanitary fittings, pumps and valves for the dairy, food and beverage industries for over 60 years.



3A authorized 

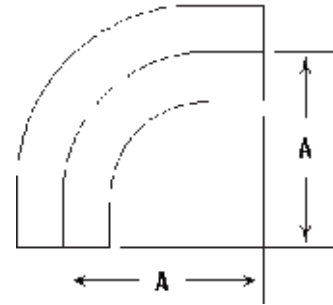


SANITARY BUTT-WELD FITTINGS

90° ELL

S2S

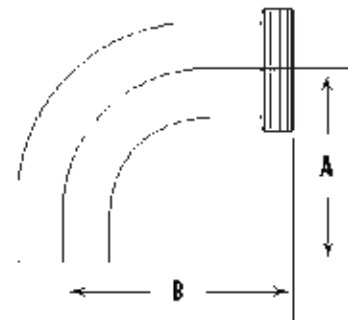
PART NO.	TUBE SIZE	A
6000	1	2 1/16
6001	1 1/2	2 15/16
6002	2	4 1/16
6003	2 1/2	5 3/16
6004	3	6 5/16
6005	4	8 5/16



90° ELL

S2T

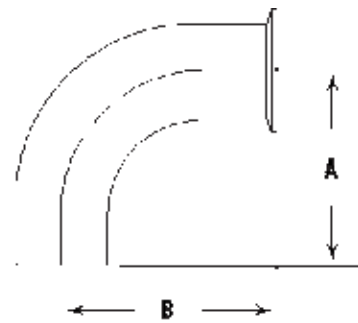
PART NO.	TUBE SIZE	A	B
6199	1 1/2	2 15/16	3 21/32
6200	2	4 1/16	4 13/16
6201	2 1/2	5 3/16	6 1/16
6202	3	6 5/16	7 7/32
6203	4	8 5/16	9 11/32



90° ELL

S2C

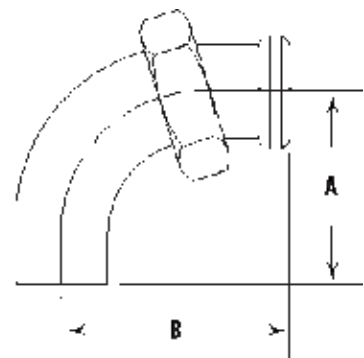
PART NO.	TUBE SIZE	A	B
6008	1 1/2	2 15/16	3 7/16
6009	2	4 1/16	4 9/16
6010	2 1/2	5 3/16	5 11/16
6011	3	6 5/16	6 13/16
6012	4	8 5/16	8 15/16



90° ELL

S2F

PART NO.	TUBE SIZE	A	B
6207	1 1/2	2 15/16	3 21/32
6208	2	4 1/16	4 13/16
6209	2 1/2	5 3/16	6 1/16
6210	3	6 5/16	7 7/32
6211	4	8 5/16	9 11/32

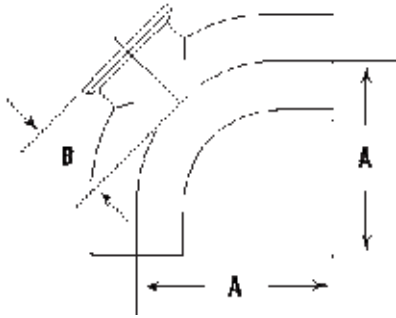


1111

SANITARY BUTT-WELD FITTINGS

S2WWC

90° INSPECTION ELL

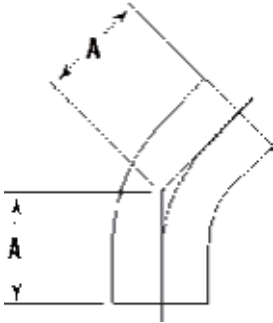


PART NO.	TUBE SIZE	A	B
6222	1 1/2	2 7/8	1 3/8
6223	2	4	1 5/8
6224	2 1/2	5 1/8	1 15/16
6225	3	6 1/4	2 3/16
6226	4	8 1/4	2 15/16

AVAILABLE IN NO. 7 FINISH ONLY

S2KS

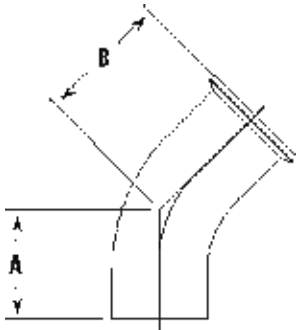
45° ELL



PART NO.	TUBE SIZE	A
6524	1	1 3/16
6525	1 1/2	1 5/8
6526	2	2 5/16
6527	2 1/2	3
6528	3	3 11/16
6529	4	4 13/16

S2KC

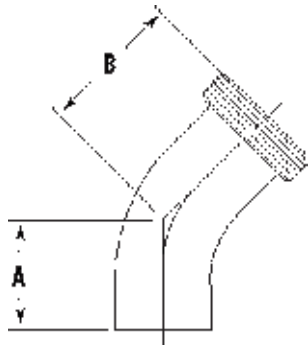
45° ELL



PART NO.	TUBE SIZE	A	B
6531	1	1 3/16	1 11/16
6532	1 1/2	1 5/8	2 1/8
6533	2	2 5/16	2 13/16
6534	2 1/2	3	3 1/2
6535	3	3 11/16	4 3/16
6536	4	4 13/16	5 7/16

S2KT

45° ELL



PART NO.	TUBE SIZE	A	B
6539	1 1/2	1 5/8	2 11/32
6540	2	2 5/16	3 1/16
6541	2 1/2	3	3 7/8
6542	3	3 11/16	4 19/32
6543	4	4 13/16	5 27/32

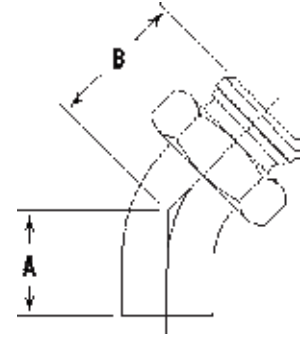


SANITARY BUTT-WELD FITTINGS

45° ELL

S2KP

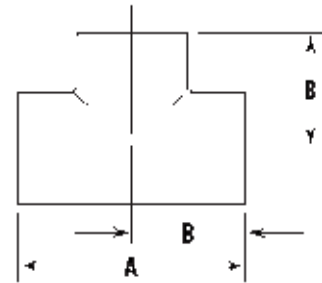
PART NO.	TUBE SIZE	A	B
6546	1 1/2	1 5/8	2 11/32
6547	2	2 5/16	3 1/16
6548	2 1/2	3	3 7/8
6549	3	3 11/16	4 19/32
6550	4	4 13/16	5 27/32



TEE

S7WWW

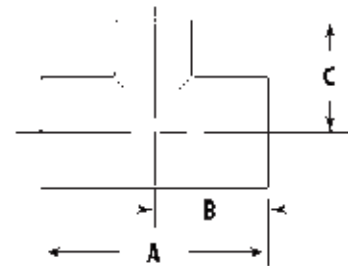
PART NO.	TUBE SIZE	A	B
7012	1	2 1/4	1 1/8
7013	1 1/2	3 5/16	1 21/32
7014	2	4 1/8	2 1/16
7015	2 1/2	4 11/16	2 11/32
7016	3	5 3/16	2 19/32
7017	4	6 7/8	3 7/16



TEE REDUCING

S7RWWW

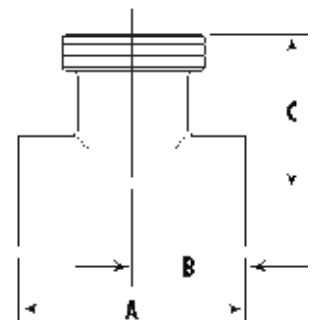
PART NO.	TUBE SIZE	A	B	C
7123	1 1/2 x 1	3 5/16	1 21/32	1 3/8
7124	2 x 1	4 1/8	2 1/16	1 5/8
7125	2 x 1 1/2	4 1/8	2 1/16	1 29/32
7128	2 1/2 x 2	4 11/16	2 11/32	2 5/16
7131	3 x 2	5 3/16	2 19/32	2 9/16
7132	3 x 2 1/2	5 3/16	2 19/32	2 19/32



TEE

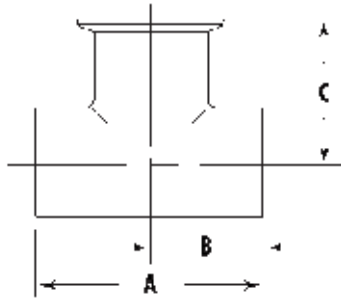
S7WWT

PART NO.	TUBE SIZE	A	B	C
7051	1 1/2	3 5/16	1 21/32	2 3/8
7052	2	4 1/8	2 1/16	2 13/16
7053	2 1/2	4 11/16	2 11/32	3 7/32
7054	3	5 3/16	2 19/32	3 1/2
7055	4	6 7/8	3 7/16	4 15/32



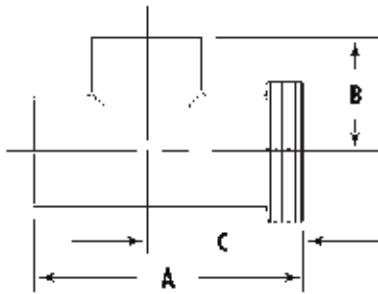
SANITARY BUTT-WELD FITTINGS

S7WWC



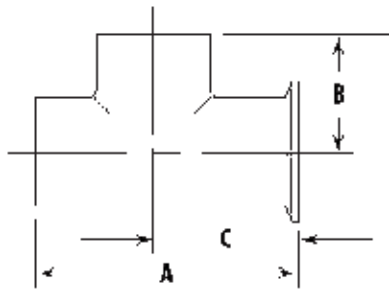
PART NO.	TUBE SIZE	A	B	C
7058	1	2 1/4	1 1/8	1 5/8
7059	1 1/2	3 5/16	1 21/32	2 5/32
7060	2	4 1/8	2 1/16	2 9/16
7061	2 1/2	4 11/16	2 11/32	2 27/32
7062	3	5 3/16	2 19/32	3 3/32
7063	4	6 7/8	3 7/16	4 1/16

S7WTW



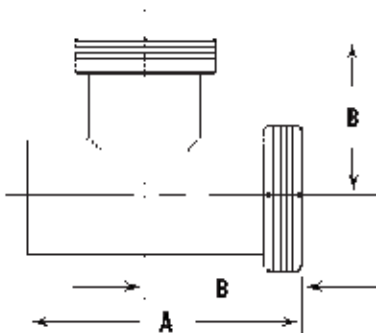
PART NO.	TUBE SIZE	A	B	C
7067	1 1/2	4 1/32	1 21/32	2 3/8
7068	2	4 7/8	2 1/16	2 13/16
7069	2 1/2	5 9/16	2 11/32	3 7/32
7070	3	6 3/32	2 19/32	3 1/2
7071	4	7 29/32	3 7/16	4 15/32

S7WCW



PART NO.	TUBE SIZE	A	B	C
7074	1 1/2	3 13/16	1 21/32	2 5/32
7075	2	4 5/8	2 1/16	2 9/16
7076	2 1/2	5 3/16	2 11/32	2 27/32
7077	3	5 11/16	2 19/32	3 3/32
7078	4	7 1/2	3 7/16	4 1/16

S7WTT

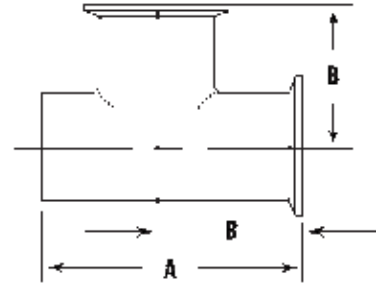


PART NO.	TUBE SIZE	A	B
7081	1 1/2	4 1/32	2 3/8
7082	2	4 7/8	2 13/16
7083	2 1/2	5 9/16	3 7/32
7084	3	6 3/32	3 1/2
7085	4	7 29/32	4 15/32

SANITARY BUTT-WELD FITTINGS

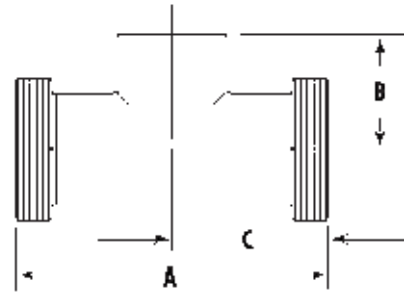
TEE S7WCC

PART NO.	TUBE SIZE	A	B
7088	1 1/2	3 13/16	2 5/32
7089	2	4 5/8	2 9/16
7090	2 1/2	5 3/16	2 27/32
7091	3	5 11/16	3 3/32
7092	4	7 1/2	4 1/16



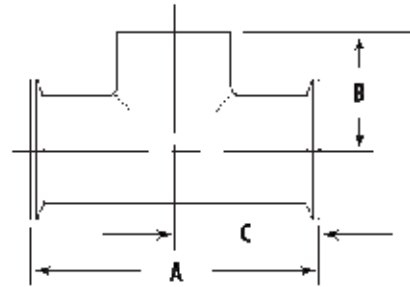
TEE S7TTW

PART NO.	TUBE SIZE	A	B	C
7095	1 1/2	4 3/4	1 21/32	2 3/8
7096	2	5 5/8	2 1/16	2 13/16
7097	2 1/2	6 7/16	2 11/32	3 7/32
7098	3	7	2 19/32	3 1/2
7099	4	8 15/16	3 7/16	4 15/32



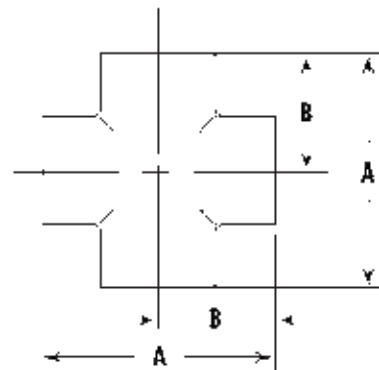
TEE S7CCW

PART NO.	TUBE SIZE	A	B	C
7102	1 1/2	4 5/16	1 21/32	2 5/32
7103	2	5 1/8	2 1/16	2 9/16
7104	2 1/2	5 11/16	2 11/32	2 27/32
7105	3	6 3/16	2 19/32	3 3/32
7106	4	8 1/8	3 7/16	4 1/16



CROSS S9WWW

PART NO.	TUBE SIZE	A	B
7518	1	2 1/4	1 1/8
7519	1 1/2	3 5/16	1 21/32
7520	2	4 1/8	2 1/16
7521	2 1/2	4 11/16	2 11/32
7522	3	5 3/16	2 19/32
7523	4	6 7/8	3 7/16

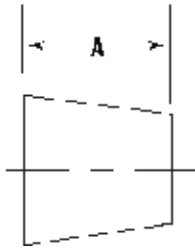


SANITARY BUTT-WELD FITTINGS



S31W

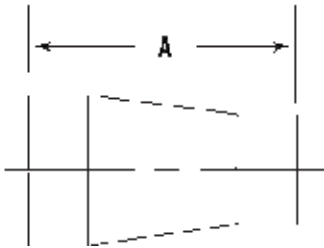
REDUCER CONCENTRIC



PART NO.	TUBE SIZE	A
5910	1 1/2 x 1	2
5911	2 x 1 1/2	2
5925	2 1/2 x 1 1/2	4
5912	2 1/2 x 2	2
5913	3 x 2	4
5914	3 x 2 1/2	2
5927	4 x 2	8
5928	4 x 2 1/2	6
5915	4 x 3	4

S31E

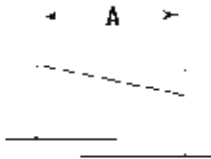
REDUCER CONCENTRIC ENDS TANGENT



PART NO.	TUBE SIZE	A
8284	1 1/2 x 1	3 3/8
8285	2 x 1 1/2	3 7/8
8286	2 1/2 x 1 1/2	6
8287	2 1/2 x 2	4 1/4
8289	3 x 2	6 3/8
8290	3 x 2 1/2	4 1/2
8292	4 x 2	10 1/2
8293	4 x 2 1/2	8 5/8
8294	4 x 3	6 3/4

S32W

REDUCER ECCENTRIC



PART NO.	TUBE SIZE	A
5917	1 1/2 x 1	2
5918	2 x 1 1/2	2
5931	2 1/2 x 1 1/2	4
5919	2 1/2 x 2	2
5920	3 x 2	4
5921	3 x 2 1/2	2
5933	4 x 2	8
5934	4 x 2 1/2	6
5922	4 x 3	4

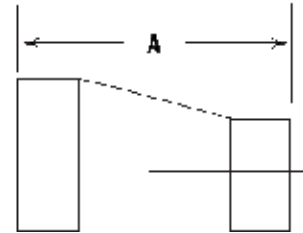


SANITARY BUTT-WELD FITTINGS

REDUCER ECCENTRIC ENDS TANGENT

S32E

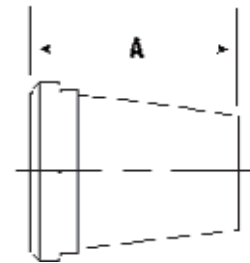
PART NO.	TUBE SIZE	A
8297	1 1/2 x 1	3 3/8
8299	2 x 1 1/2	3 7/8
8300	2 1/2 x 1 1/2	6
8301	2 1/2 x 2	4 1/4
8303	3 x 2	6 3/8
8304	3 x 2 1/2	4 1/2
8306	4 x 2	10 1/2
8307	4 x 2 1/2	8 5/8
8308	4 x 3	6 3/4



REDUCER CONCENTRIC PLAIN TO WELD

S31P

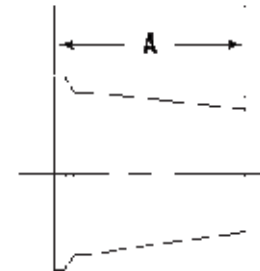
PART NO.	TUBE SIZE	A
8312	2 x 1 1/2	2 3/4
8313	2 1/2 x 1 1/2	4 7/8
8314	2 1/2 x 2	2 7/8
8316	3 x 2	4 29/32
8317	3 x 2 1/2	2 29/32
8318	4 x 2	9 1/32
8319	4 x 2 1/2	7 1/32
8320	4 x 3	5 1/32



REDUCER CONCENTRIC CLAMP TO WELD

S31C

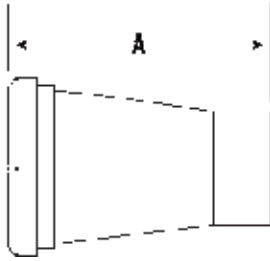
PART NO.	TUBE SIZE	A
8327	2 x 1 1/2	2 1/2
8328	2 1/2 x 1 1/2	4 1/2
8329	2 1/2 x 2	2 1/2
8332	3 x 2	4 1/2
8333	3 x 2 1/2	2 1/2
8334	4 x 2	8 5/8
8335	4 x 2 1/2	6 5/8
8336	4 x 3	4 5/8



SANITARY BUTT-WELD FITTINGS

S31PE

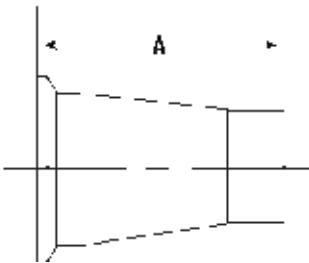
REDUCER CONCENTRIC PLAIN TO TANGENT



PART NO.	TUBE SIZE	A
8339	2 x 1 1/2	3 17/32
8340	2 1/2 x 1 1/2	5 21/32
8341	2 1/2 x 2	3 15/16
8343	3 x 2	5 31/32
8344	3 x 2 1/2	4 9/32
8345	4 x 2	10 9/32
8346	4 x 2 1/2	8 13/32
8347	4 x 3	6 17/32

S31CE

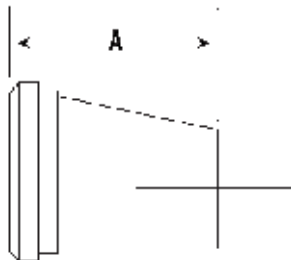
REDUCER CONCENTRIC CLAMP TO TANGENT



PART NO.	TUBE SIZE	A
8352	2 x 1 1/2	3 5/32
8353	2 1/2 x 1 1/2	5 5/32
8354	2 1/2 x 2	3 7/16
8355	3 x 2	5 7/16
8356	3 x 2 1/2	3 15/32
8357	4 x 2	9 7/16
8358	4 x 2 1/2	7 15/16
8359	4 x 3	6 5/16

S32P

REDUCER ECCENTRIC PLAIN TO WELD



PART NO.	TUBE SIZE	A
8363	2 x 1 1/2	2 3/4
8364	2 1/2 x 1 1/2	4 7/8
8365	2 1/2 x 2	2 7/8
8366	3 x 2	4 29/32
8367	3 x 2 1/2	2 29/32
8368	4 x 2	9 1/32
8369	4 x 2 1/2	7 1/32
8370	4 x 3	5 1/32

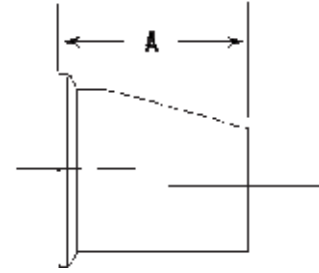


SANITARY BUTT-WELD FITTINGS

REDUCER ECCENTRIC CLAMP TO WELD

S32C

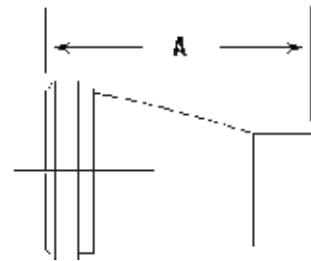
PART NO.	TUBE SIZE	A
8374	2 x 1 1/2	2 1/2
8375	2 1/2 x 1 1/2	4 1/2
8376	2 1/2 x 2	2 1/2
8378	3 x 2	4 1/2
8379	3 x 2 1/2	2 1/2
8380	4 x 2	8 5/8
8381	4 x 2 1/2	6 5/8
8382	4 x 3	4 5/8



REDUCER ECCENTRIC PLAIN TO TANGENT

S32PE

PART NO.	TUBE SIZE	A
8386	2 x 1 1/2	3 17/32
8387	2 1/2 x 1 1/2	5 21/32
8388	2 1/2 x 2	3 15/16
8390	3 x 2	5 31/32
8391	3 x 2 1/2	4 3/32
8392	4 x 2	10 9/32
8393	4 x 2 1/2	8 13/32
8394	4 x 3	6 17/32



REDUCER ECCENTRIC CLAMP TO TANGENT

S32CE

PART NO.	TUBE SIZE	A
8398	2 x 1 1/2	3 5/32
8399	2 1/2 x 1 1/2	5 5/32
8400	2 1/2 x 2	3 7/16
8401	3 x 2	5 7/16
8402	3 x 2 1/2	3 15/32
8403	4 x 2	9 7/16
8404	4 x 2 1/2	7 15/16
8405	4 x 3	6 5/16

