

THOMSEN

Quality stainless steel flow equipment.



FILTERS AND STRAINERS

Filters and Strainers

THOMSEN® filters and strainers are constructed from either type 304 or 316 stainless steel and polished to a smooth, clean sanitary finish. They are easy to assemble and disassemble for fast, easy cleaning. Both filter and strainer units are available for single, twin or multiple installations.

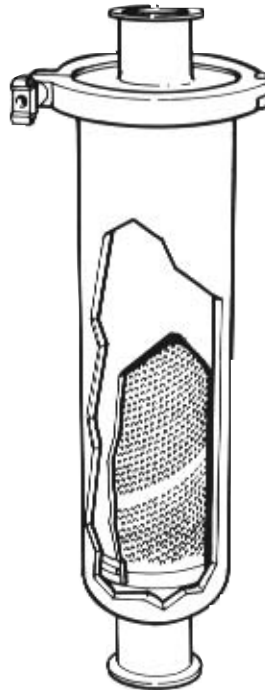
THOMSEN® filters and strainers are made in three standard lengths with 1-1/2" through 3" clamp or bevel seat connections. Special connections are available for various applications.

THOMSEN® filters and strainers are available in both inline and side inlet designs.

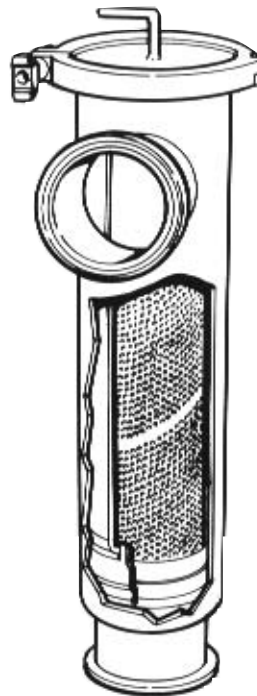
Filters normally use a 1/4" perforation for the back up of a wire mesh overscreen. Overscreens are available in various mesh/micron sizes. The size of the mesh depends on the size of the particulate you wish to remove from the product.

Strainers are available with 1/4, 1/8, 3/32 or 1/16 inch holes. Strainers also may use a slip on cloth bag and can be used as a filter. Bags are available for both hot and cold products.

THOMSEN®. Over 60 years serving you in the food, dairy and beverage industry.



THOMSEN® inline design filter allows straight through flow in either the horizontal or vertical position. No tools are needed. To disassemble and clean the filter or strainer, just remove the clamp and pull the inner assembly from the housing and clean or replace the media.



THOMSEN® side inlet design allows the filter or strainer to be cleaned without disconnecting it from the line. No tools are needed. To disassemble and clean the filter or strainer, just remove the clamp and pull the inner assembly from the housing and clean or replace the media.



3A authorized



Filters and Strainers

Filters and Strainers Constructed of Stainless Steel for:

**Service
Quality
Dependability**

Proper Filtering

A filter or strainer of this type is primarily designed for removal of various size particles from the product. It is not intended to remove odors or impurities.

To give actual performance figures would be difficult since capabilities vary according to 1) line pressure and, 2) size and amount of particles in the product (particles tend to clog the filter media which in turn, reduces product flow).

When the pressure drop through a filter unit becomes 2 to 5 psi over normal, filter media should be changed.

A line filter of this type can be installed in a horizontal, vertical or inverted position and should be placed in a convenient location for ease of cleaning.

When used in conjunction with a high speed or positive pump, protect the unit from damage by using a bypass or pressure relief system.



Twin Filter



Use in tandem for uninterrupted processing applications

Available in clamp type or bevel seat

The twin filter assembly at left consists of: 2 identical filter units, 4 sanitary elbows, 2 three-way sanitary plug valves, 1 polished stainless steel stand and 4 stainless steel filter hangers.

Twin filter assemblies consist of a stand, supporting inlet and outlet three-way valves, connecting elbows and any choice of filter assemblies. Product flow may be diverted to one filter while its twin is being cleaned, allowing for uninterrupted processing. Multiple stage filter units may be designed to progressively filter product particles in series by using various filtering media.

WIRE CLOTH OVERSCREEN†				
MESH	OPEN SPACE	WIRE DIAMETER	RELATIVE OPEN AREA	MICRON RATING
20	.035	.016	46.2%	864
30	.021	.013	37.1%	538
60	.011	.0075	30.5%	282
80	.007	.0055	31.4%	179
100	.006	.0045	30.2%	153
150	.004	.0026	37.4%	102
250	.0024	.0016	36.0%	62
325	.0017	.0014	30.0%	44

†Many other wire diameters and twills are available on request

SLIP-ON FILTER MEDIA

Double Knapped Flannel Bag for hot product application (250 micron rating, 60 mesh)

Unbleached Muslin for cold product application (283 micron rating, 50 mesh)

ADDITIONAL FILTRATION MEDIA SELECTIONS

Wedgewire Strainers - offered both in inline and side-inlet design, wedgewire strainers are ideal for extended service applications, C.I.P., cleanable, can be backflushed, and offer straining sizes equivalent to standard wire mesh overscreens.

Porous Metal Inner Assemblies - available where filtering capabilities finer than 44 micron are required. Porous metal is an excellent choice when greater degrees of filtration and clarity must be achieved.



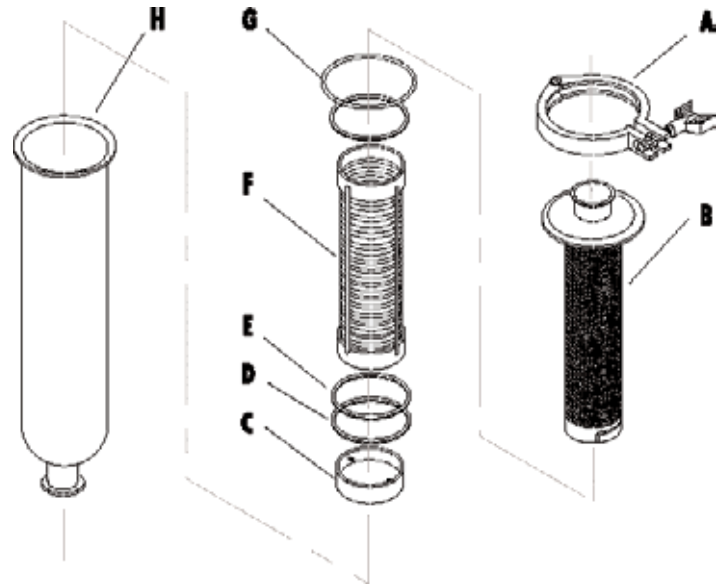
FILTERS & STRAINERS

INLINE FILTER COMPONENTS

INLINE FILTER, CLAMP CONNECTIONS 1/4" PERFORATIONS W/OVERSCREEN

ITEM	QTY.	DESCRIPTION	SHORT	MEDIUM	LONG
A	1	Clamp	3525-48	3525-48	3525-48
B	1	1 1/2" Inner Assembly	4090-47	4091-47	4092-47
B	1	2" Inner Assembly	4093-47	4094-47	4095-47
B	1	2 1/2" Inner Assembly	4096-47	4097-47	4098-47
B	1	3" Inner Assembly	4099-47	4100-37	4101-47
C	1	Filter End Cap	4080-67	4080-67	4080-67
D	1	Bearing Gasket	3285-T0	3285-T0	3285-T0
E	2	Gasket	3284-B0	3284-B0	3284-B0
F	1	Overscreen	4135-4**	4136-4**	4137-4**
G	1	"O" Ring	3176-B0	3176-B0	3176-B0
H	1	1 1/2" Housing	3800-47	3801-47	3802-47
H	1	2" Housing	3806-47	3807-47	3808-47
H	1	2 1/2" Housing	3812-47	3813-47	3814-47
H	1	3" Housing	3818-47	3819-47	3820-47

**MESH A = 18 D = 60 G = 150 K = 325
 B = 20 E = 80 H = 200 L = 20
 C = 30 F = 100 J = 250

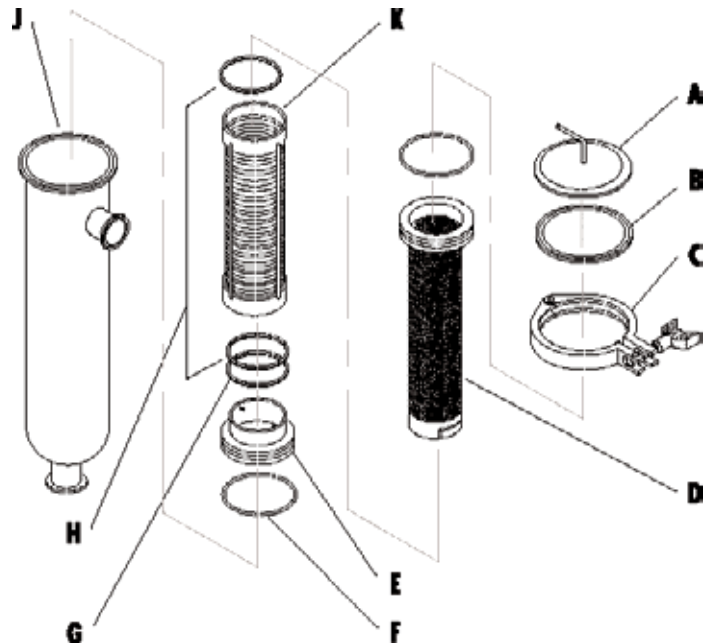


SIDE INLET FILTER COMPONENTS

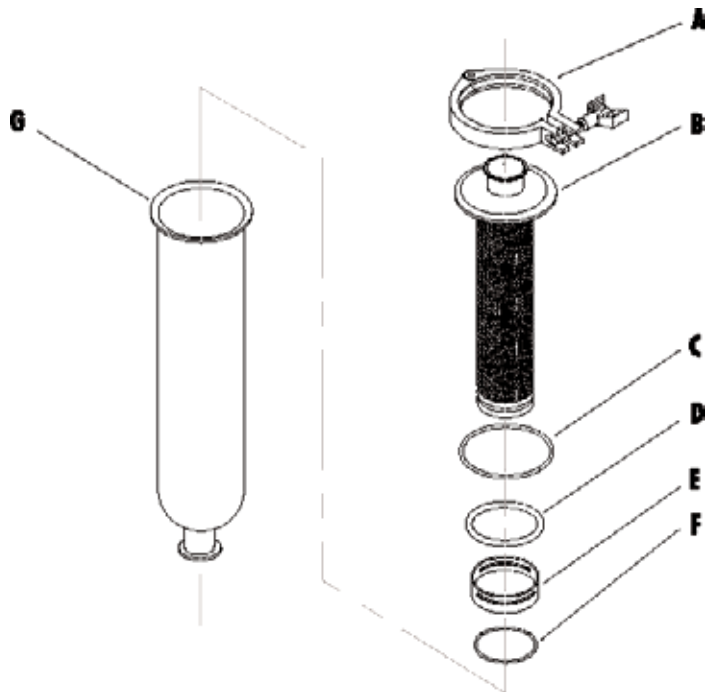
SIDE INLET FILTER, CLAMP CONNECTIONS 1/4" PERFORATIONS

ITEM	QTY.	DESCRIPTION	SHORT	MEDIUM	LONG
A	1	Cap Handle	4888-47	4888-47	4888-47
B	1	TS/40 Gasket	3099-B0	3099-B0	3099-B0
C	1	Clamp	3525-48	3525-48	3525-48
D	1	Inner Assembly	4879-47	4882-47	4876-47
E	1	End Cap	4862-60	4862-60	4862-60
F	2	"O" Ring	3172-B0	3172-B0	3172-B0
G	1	Gasket	3285-T0	3285-T0	3285-T0
H	2	Gasket	3274-B0	3274-B0	3274-B0
J	1	1 1/2" Housing	4897-47	4919-47	4891-47
J	1	2" Housing	4893-47	4916-47	4903-47
J	1	2 1/2" Housing	4914-47	4938-47	4915-47
J	1	3" Housing	4896-47	4928-47	4908-47
K	1	Overscreen	4135-4**	4136-4**	4137-4**

**MESH A = 18 D = 60 G = 150 K = 325
 B = 20 E = 80 H = 200 L = 20
 C = 30 F = 100 J = 250

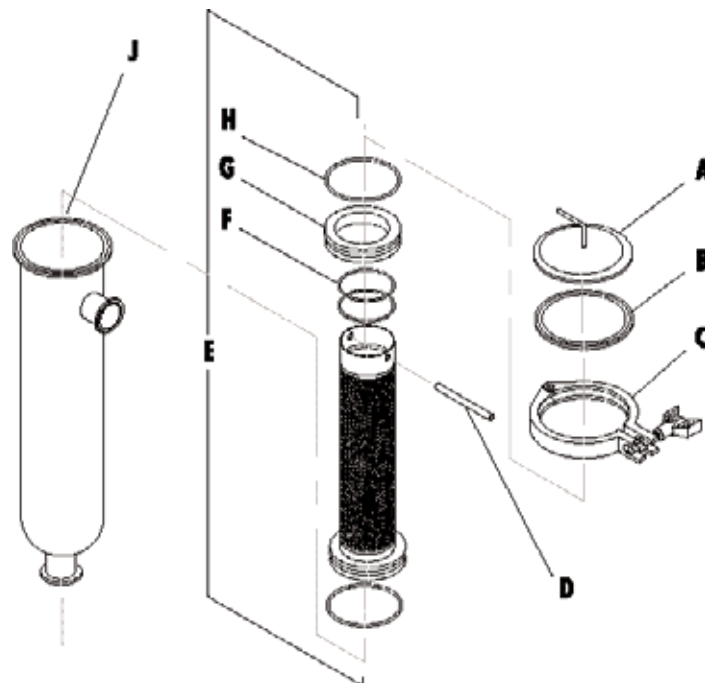


FILTERS & STRAINERS



INLINE STRAINER COMPONENTS

INLINE STRAINER, CLAMP CONNECTIONS 1/4" PERFORATIONS					
ITEM	QTY.	DESCRIPTION	SHORT	MEDIUM	LONG
A	1	Clamp	3525-48	3525-48	3525-48
B	1	1 1/2" Inner Assembly	3862-47	3867-47	3872-47
B	1	2" Inner Assembly	3830-47	3835-47	3840-47
B	1	2 1/2" Inner Assembly	3891-47	3896-47	3901-47
B	1	3" Inner Assembly	3906-47	3911-37	3916-47
C	1	"O" Ring	3176-B0	3176-B0	3176-B0
D	1	"O" Ring	3167-B0	3167-B0	3167-B0
E	1	End Cap	3825-67	3825-67	3825-67
F	1	"O" Ring	3169-B0	3169-B0	3169-B0
G	1	1 1/2" Housing	3800-47	3801-47	3802-47
G	1	2" Housing	3806-47	3807-47	3808-47
G	1	2 1/2" Housing	3812-47	3813-47	3814-47
G	1	3" Housing	3818-47	3819-47	3820-47



SIDE INLET STRAINER COMPONENTS

SIDE INLET STRAINER, CLAMP CONNECTIONS 1/4" PERFORATIONS					
ITEM	QTY.	DESCRIPTION	SHORT	MEDIUM	LONG
A	1	Cap Handle	4888-47	4888-47	4888-47
B	1	TS/40 Gasket	3099-80	3099-80	3099-80
C	1	Clamp	3525-48	3525-48	3525-48
D	1	Handle Pin	4561-67	4561-67	4561-67
E*	1	Inner Assy 1/4 Perf.*	4568-48	4573-48	4578-48
F	2	"O" Ring	3167-B0	3167-B0	3167-B0
G	1	Removable "O" Ring End	4560-60	4560-60	4560-60
H	2	"O" Ring	3172-B0	3172-B0	3172-B0
J	1	1 1/2" Housing	4897-47	4919-47	4891-47
J	1	2" Housing	4893-47	4916-47	4903-47
J	1	2 1/2" Housing	4914-47	4938-47	4915-47
J	1	3" Housing	4896-47	4928-47	4908-47

*INNER ASSEMBLY (E) INCLUDES ITEMS D, F, G AND H.

