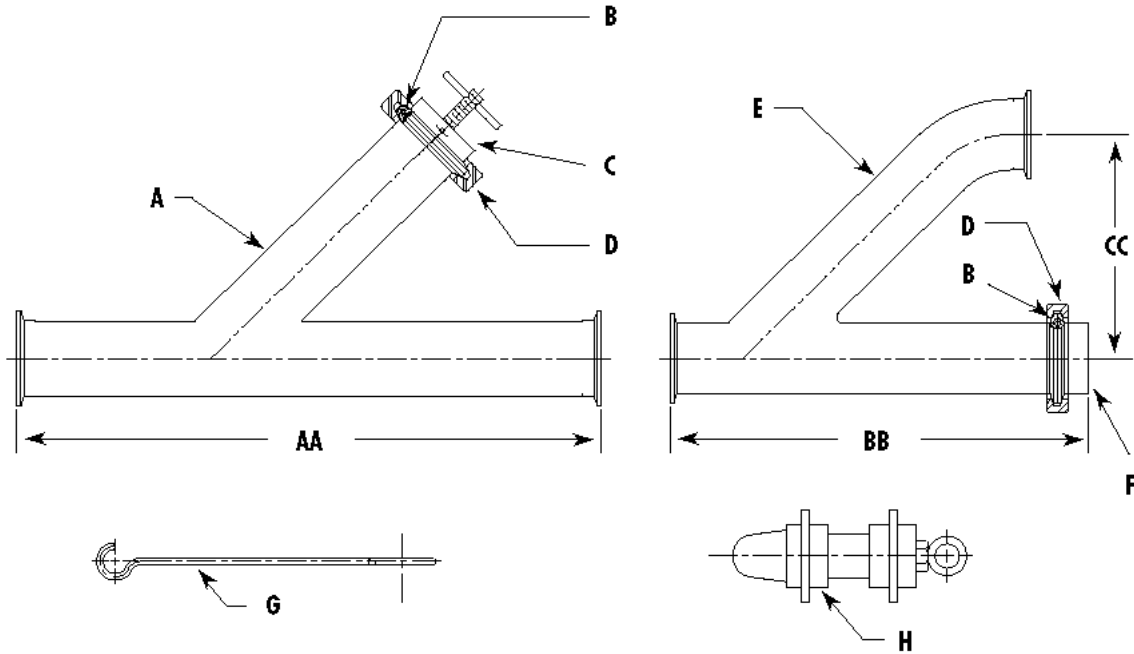


SPECIALS
RECOVERY SYSTEMS
STAINLESS STEEL



THOMSEN RECOVERY SYSTEMS

- Tube O.D. sizes 1 1/2" to 4"
- "Pig" will pass through elbows and tees
- Clamp connections
- Operates with air pressure
- Handles viscous products
- Type 316 stainless steel
- Recovers product otherwise lost
- Pays for itself
- Magnetic option for tracking "pig"
- Magnetic option for tracking

DETAIL	DESCRIPTION
A	Catcher body
B	Gasket
C	Relief valve assembly
D	Clamp
E	Launcher assembly
F	Air inlet
G	Retriever handle
H	Pig assembly

SIZE	PART NO.	AA	BB	CC
1 1/2"	1292-00	11 11/16"	8 5/16"	5 1/16"
2"	1293-00	13 13/16"	10 3/8"	5 29/32"
2 1/2"	1294-00	16"	11 21/32"	7 3/32"
3"	1295-00	18 1/4"	12 15/32"	7 9/16"
4"	1296-00	20 1/2"	13 5/8"	9 11/32"



SPECIALS
RECOVERY SYSTEMS
STAINLESS STEEL



COMPLETE ASSEMBLY

SIZE	PART NO.
1 1/2"	1292-00
2"	1293-00
2 1/2"	1294-00
3"	1295-00
4"	1296-00

REPLACEMENT PARTS

SIZE	DESCRIPTION	PART NO.
1 1/2"	Pig catcher assembly	1300-6B
1 1/2"	Pig launcher assembly	1333-6B
1 1/2"	Pig assembly	1230-B0
1 1/2"	Magnetic Pig assembly	1230-BM
1 1/2"	Retriever handle	1251-61
1 1/2"	Air release assembly only	1320-6B
1 1/2"	Wiper	1234-B0
2"	Pig catcher assembly	1301-6B
2"	Pig launcher assembly	1334-6B
2"	Pig assembly	1239-B0
2"	Magnetic Pig assembly	1239-BM
2"	Retriever handle	1251-61
2"	Air release assembly only	1321-6B
2"	Wiper	1243-B0
2 1/2"	Pig catcher assembly	1302-6B
2 1/2"	Pig launcher assembly	1335-6B
2 1/2"	Pig assembly	1255-B0
2 1/2"	Magnetic Pig assembly	1255-BM
2 1/2"	Retriever handle	1251-61
2 1/2"	Air release assembly only	1322-6B
2 1/2"	Wiper	1259-B0
3"	Pig catcher assembly	1303-6B
3"	Pig launcher assembly	1336-6B
3"	Pig assembly	1264-B0
3"	Magnetic Pig assembly	1264-BM
3"	Retriever handle	1251-61
3"	Air release assembly only	1323-6B
3"	Wiper	1268-B0
4"	Pig catcher assembly	1304-6B
4"	Pig launcher assembly	1337-6B
4"	Pig assembly	1274-B0
4"	Magnetic Pig assembly	1274-BM
4"	Retriever handle	1251-61
4"	Air release assembly only	1324-6B
4"	Wiper	1278-B0

PRICES EFFECTIVE JULY 4, 1996
 PRICES SUBJECT TO CHANGE WITHOUT NOTIFICATION.

