

THOMSEN

Quality stainless steel flow equipment.



AIR OPERATED AND MANUAL BUTTERFLY VALVES

Butterfly Valves Manual and Air Operated

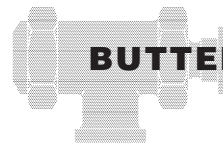
Compact, low cost *THOMSEN*[®] butterfly valves are of the vertical disc type with a resilient seal. They offer positive shutoff and throttling characteristics, and are ideal for use with a wide variety of media. The premium resilient seals reduce scrubbing and compression set in the discs boss area, greatly increasing valve life. The seals are available in Silicone, Viton and EPDM.

The discs and valve bodies are machined from stainless steel castings and are available from 1" to 4" sizes, in both 304 and 316 material.

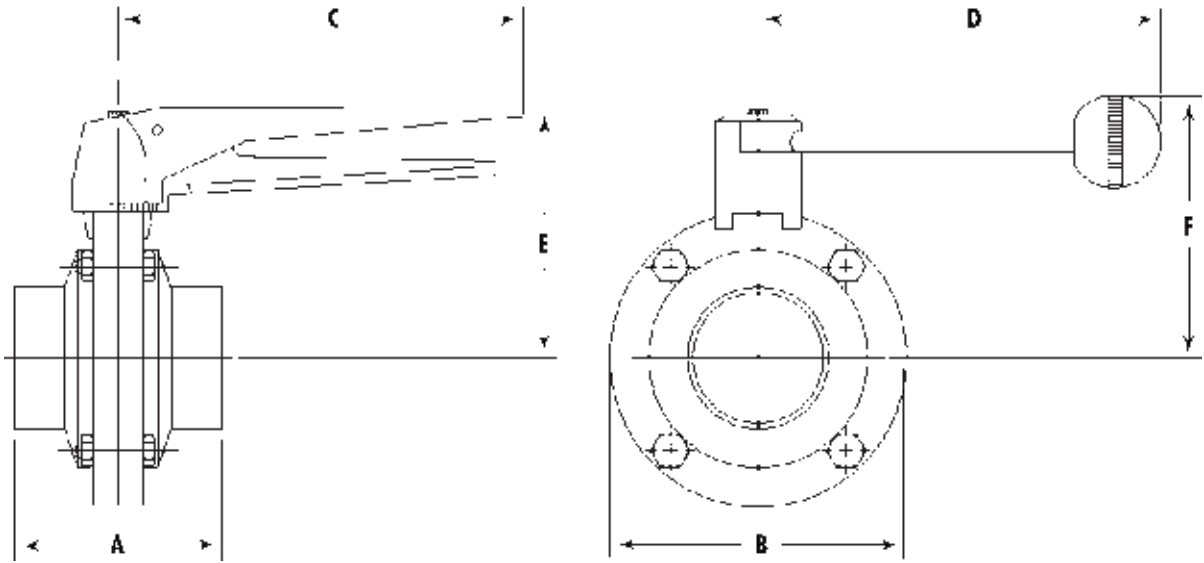
THOMSEN[®] butterfly valves are available with air or manual activation. Manual valves are available with either a 2-position or multi-position handle. Air actuated valves are available with switches and solenoid enclosed within a stainless steel cover. They are also available with proximity switches on the disc positioner. Because the valves are symmetrical, manual or air activated valves can be right or left hand operation.

THOMSEN[®]. Over 60 years serving you in the food, dairy, beverage and pharmaceutical industry.





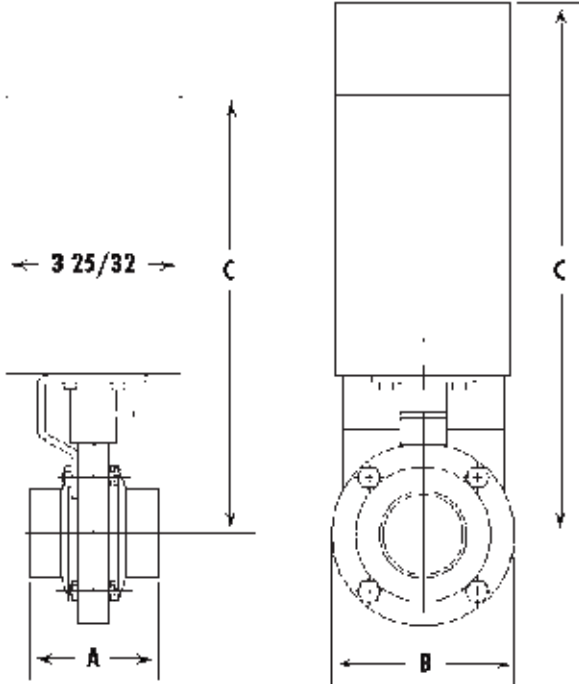
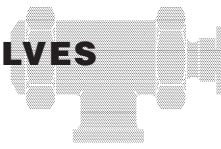
BUTTERFLY VALVES MANUAL



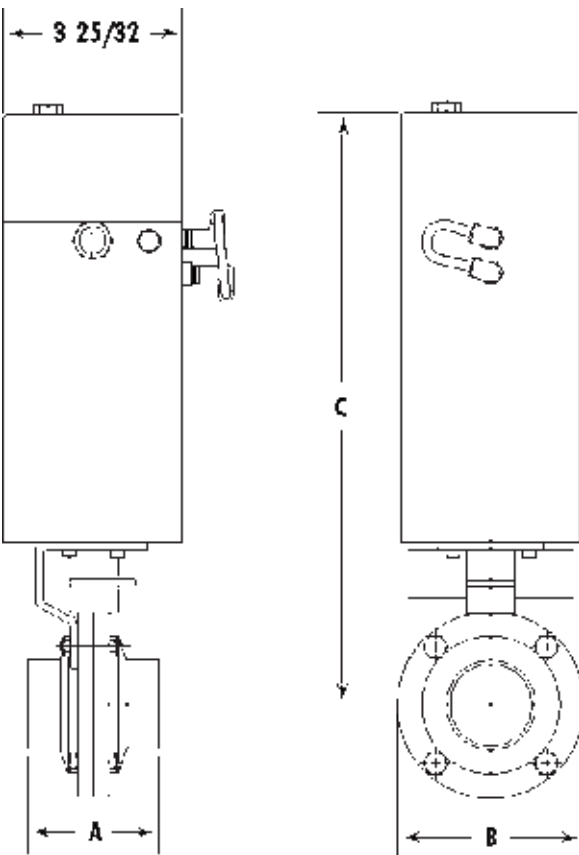
SIZE	A			B	C	D	E	F
	CLAMP	WELD	BEVEL					
1"	2 $\frac{33}{64}$ "	1 $\frac{37}{64}$ "	3"	3 $\frac{27}{64}$ "	5 $\frac{29}{32}$ "	5 $\frac{29}{32}$ "	3 $\frac{35}{64}$ "	3 $\frac{35}{64}$ "
1 1/2"	2 $\frac{53}{64}$ "	1 $\frac{31}{32}$ "	3 $\frac{13}{32}$ "	3 $\frac{53}{64}$ "	5 $\frac{29}{32}$ "	5 $\frac{29}{32}$ "	3 $\frac{47}{64}$ "	3 $\frac{3}{4}$ "
2"	2 $\frac{53}{64}$ "	1 $\frac{31}{32}$ "	3 $\frac{15}{32}$ "	4 $\frac{21}{64}$ "	5 $\frac{29}{32}$ "	5 $\frac{29}{32}$ "	3 $\frac{31}{32}$ "	4 $\frac{1}{64}$ "
2 1/2"	2 $\frac{63}{64}$ "	1 $\frac{31}{32}$ "	3 $\frac{23}{32}$ "	5"	5 $\frac{29}{32}$ "	5 $\frac{29}{32}$ "	4 $\frac{21}{64}$ "	4 $\frac{11}{32}$ "
3"	3 $\frac{25}{64}$ "	2 $\frac{23}{64}$ "	4 $\frac{11}{64}$ "	5 $\frac{19}{32}$ "	5 $\frac{29}{32}$ "	5 $\frac{29}{32}$ "	4 $\frac{39}{64}$ "	4 $\frac{41}{64}$ "
4"	4 $\frac{3}{32}$ "	2 $\frac{33}{64}$ "	4 $\frac{37}{64}$ "	6 $\frac{3}{8}$ "	5 $\frac{29}{32}$ "	5 $\frac{29}{32}$ "	5 $\frac{3}{64}$ "	5 $\frac{1}{32}$ "



BUTTERFLY VALVES PNEUMATIC



SIZE	ACTUATOR				
	A			B	C
	CLAMP	WELD	BEVEL		
1"	2 $\frac{33}{64}$ "	1 $\frac{37}{64}$ "	3"	3 $\frac{27}{64}$ "	9 $\frac{3}{16}$ "
1 1/2"	2 $\frac{53}{64}$ "	1 $\frac{31}{32}$ "	3 $\frac{13}{32}$ "	3 $\frac{53}{64}$ "	9 $\frac{3}{8}$ "
2"	2 $\frac{53}{64}$ "	1 $\frac{31}{32}$ "	3 $\frac{15}{32}$ "	4 $\frac{21}{64}$ "	9 $\frac{41}{64}$ "
2 1/2"	2 $\frac{63}{64}$ "	1 $\frac{31}{32}$ "	3 $\frac{23}{32}$ "	5"	9 $\frac{31}{32}$ "
3"	3 $\frac{35}{64}$ "	2 $\frac{23}{64}$ "	4 $\frac{11}{64}$ "	5 $\frac{19}{32}$ "	10 $\frac{17}{64}$ "
4"	4 $\frac{3}{32}$ "	2 $\frac{33}{64}$ "	4 $\frac{37}{64}$ "	6 $\frac{3}{8}$ "	10 $\frac{43}{64}$ "

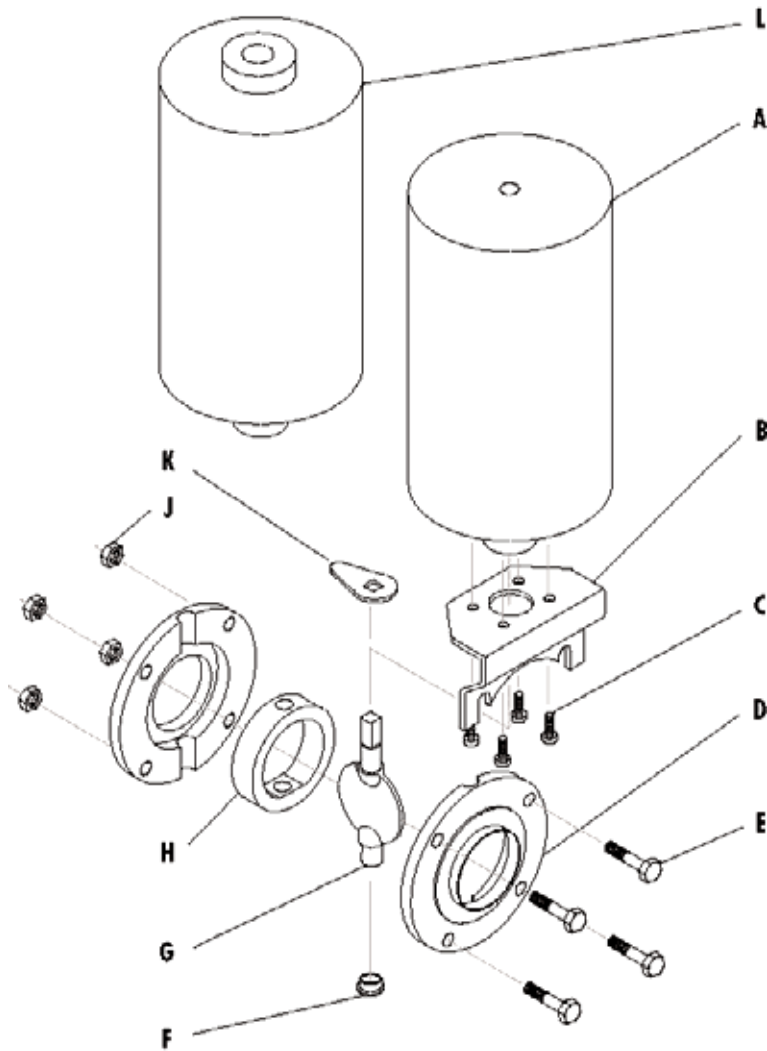


SIZE	ACTUATOR WITH CONTROL TOP				
	A			B	C
	CLAMP	WELD	BEVEL		
1"	2 $\frac{33}{64}$ "	1 $\frac{37}{32}$ "	3"	3 $\frac{27}{32}$ "	9 $\frac{49}{64}$ "
1 1/2"	2 $\frac{53}{64}$ "	1 $\frac{31}{32}$ "	3 $\frac{13}{32}$ "	3 $\frac{53}{64}$ "	13 $\frac{31}{32}$ "
2"	2 $\frac{53}{64}$ "	1 $\frac{31}{32}$ "	3 $\frac{15}{32}$ "	4 $\frac{21}{64}$ "	14 $\frac{1}{4}$ "
2 1/2"	2 $\frac{63}{64}$ "	1 $\frac{31}{32}$ "	3 $\frac{23}{32}$ "	5"	14 $\frac{9}{16}$ "
3"	3 $\frac{35}{64}$ "	2 $\frac{33}{64}$ "	4 $\frac{11}{16}$ "	5 $\frac{19}{32}$ "	14 $\frac{7}{8}$ "
4"	4 $\frac{3}{32}$ "	2 $\frac{33}{64}$ "	4 $\frac{37}{64}$ "	6 $\frac{3}{8}$ "	15 $\frac{23}{64}$ "





BUTTERFLY VALVES PNEUMATIC



ITEM	QTY.	DESCRIPTION	1"	1 1/2"	2"	2 1/2"	3"	4"
A	1	Actuator Air to Spring	31077-40	31077-40	31077-40	31077-40	31077-40	31077-40
A	1	Actuator Air to Air	31078-40	31078-40	31078-40	31078-40	31078-40	31078-40
B	1	Actuator Bracket	31080-40	31081-40	31082-40	31083-40	31084-40	31085-40
C	4	Bracket Screw	31067-40	31067-40	31067-40	31067-40	31067-40	31067-40
D	2	Body Half Weld	31030-00	31031-00	31032-00	31033-00	31034-00	31035-00
D	2	Body Half Clamp	31040-00	31041-00	31042-00	31043-00	31044-00	31045-00
D	2	Body Half Acme	31050-00	31051-00	31052-00	31053-00	31054-00	31055-00
E	4	Body Bolt	31060-40	31060-40	31060-40	31061-40	31062-40	31064-40
F	1	Bottom Plug	31071-00	31072-00	31072-00	31072-00	31073-00	31073-00
G	1	Disc	31010-67	31011-67	31012-67	31013-67	31014-67	31015-67
H	1	Seal (EPDM, Silicone, Viton)	31000-00	31001-00	31002-00	31003-00	31004-00	31005-00
J	4	Body Nut	31065-40	31065-40	31065-40	31065-40	31065-40	31065-40
K	1	Position Indicator	31098-40	31098-40	31098-40	31098-40	31098-40	31098-40
L	1	Actuator Control Top ATS	31075-40	31075-40	31075-40	31075-40	31075-40	31075-40
L	1	Actuator Control Top ATA	31076-40	31076-40	31076-40	31076-40	31076-40	31076-40

ATS - AIR TO SPRING

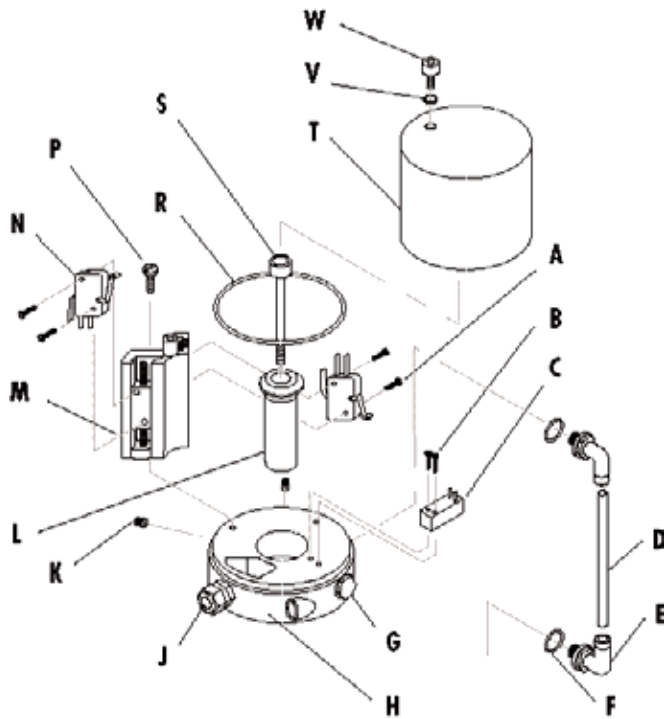
ATA - AIR TO AIR

PRICES EFFECTIVE JULY 4, 1996

PRICES SUBJECT TO CHANGE WITHOUT NOTIFICATION.



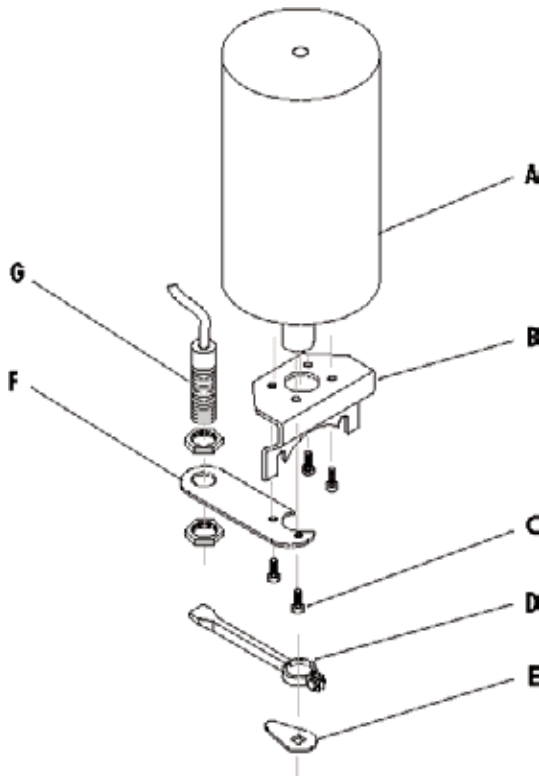
BUTTERFLY VALVES CONTROL MOUNTS



CONTROL TOP INTERNAL SWITCH CONTROLS

ITEM	QTY.	DESCRIPTION	ATO	ATC	ATA
A	4	Switch Screw	31980-40	31980-40	31980-40
B	2	Solenoid Screw	31981-40	31981-40	31981-40
C	1	Solenoid	31086-40	31086-40	31087-40
D	1	Air Tube	31982-00	31982-00	31983-00
E	2	90° Tube Connection	31984-40	31984-40	31984-40
F	2	"O" Ring	31985-B0	31985-B0	31985-B0
G	1	Base Plug	31986-40	31986-40	31986-40
H	1	Base	31095-00	31095-00	31095-00
J	1	Wire Connector	31987-00	31987-00	31987-00
K	2	Set Screw	31988-40	31988-40	31988-40
L	1	Switch Actuator	31989-40	31989-40	31989-40
M	1	Switch Mtg. Bracket	31990-00	31990-00	31990-00
N	2	Micro Switch	31088-00	31088-00	31088-00
N	2	Proximity Switch	31089-00	31089-00	31089-00
P	1	Bracket Screw	31991-40	31991-40	31991-40
R	1	Cover "O" Ring	31992-B0	31992-B0	31992-B0
S	1	Switch Act. Bolt	31993-40	31993-40	31993-40
T	1	Switch Cover	31094-00	31094-00	31094-00
V	1	Cover Gasket	31994-00	31994-00	31994-00
W	1	Cover Screw	31995-40	31995-40	31995-40

ATO = AIR TO OPEN
ATC = AIR TO CLOSE
ATA = AIR TO AIR



EXTERNAL PROXIMITY SWITCH CONTROLS WITHOUT CONTROL TOP

ITEM	QTY.	DESCRIPTION	1"	1 1/2"	2"
A	1	Air Actuator Air to Spring	31077-40	31077-40	31077-40
A	1	Air Actuator Air to Air	31078-40	31078-40	31078-40
B	1	Actuator Bracket	31080-40	31081-40	31082-40
C	4	Bracket Screw	31067-00	31067-00	31067-00
D	1	Pickup	32110-40	32110-40	32110-40
E	1	Position Indicator	31098-40	31098-40	31098-40
F	1	Switch Bracket	32109-40	32109-40	32109-40
G	1	Proximity Switch w/Nuts	31097-40	31097-40	31097-40

ITEM	QTY.	DESCRIPTION	2 1/2"	3"	4"
A	1	Air Actuator Air to Sprint	31077-40	31077-40	31077-40
A	1	Air Actuator Air to Air	31078-40	31078-40	31078-40
B	1	Actuator Bracket	31083-40	31084-40	31085-40
C	4	Bracket Screw	31067-00	31067-00	31067-00
D	1	Pickup	32110-40	32110-40	32110-40
E	1	Position Indicator	31098-40	31098-40	31098-40
F	1	Switch Bracket	32109-40	32109-40	32109-40
G	1	Proximity Switch w/Nuts	31097-40	31097-40	31097-40

